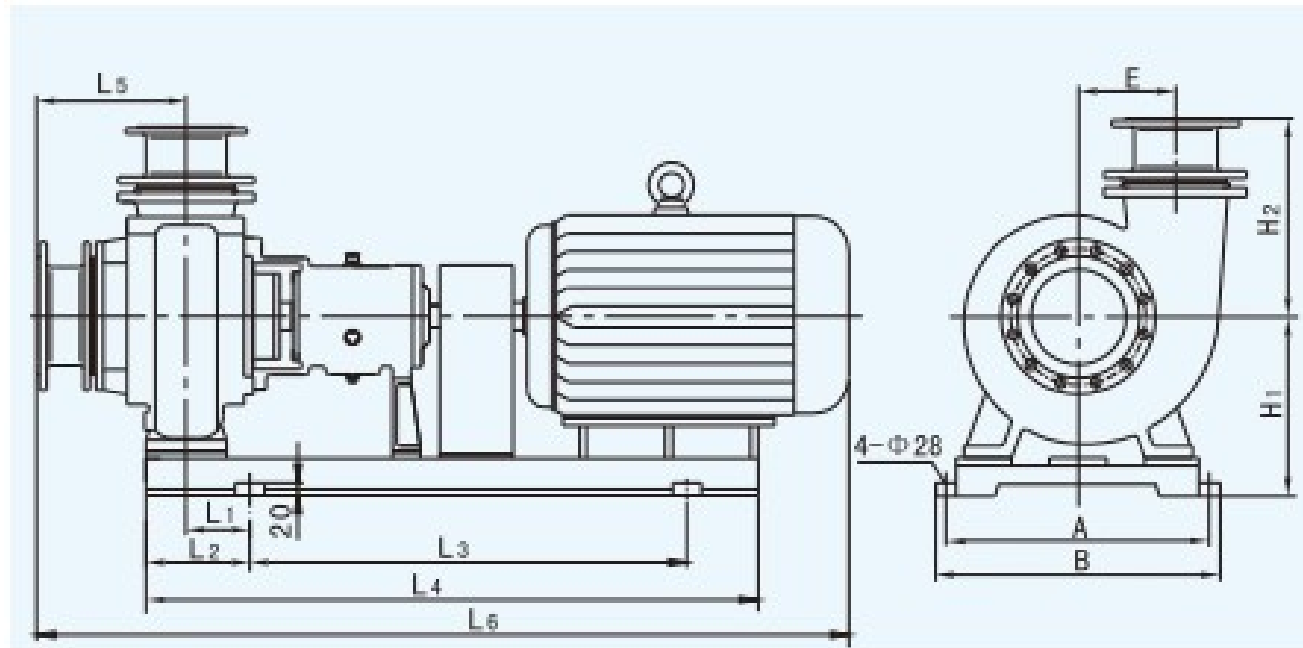
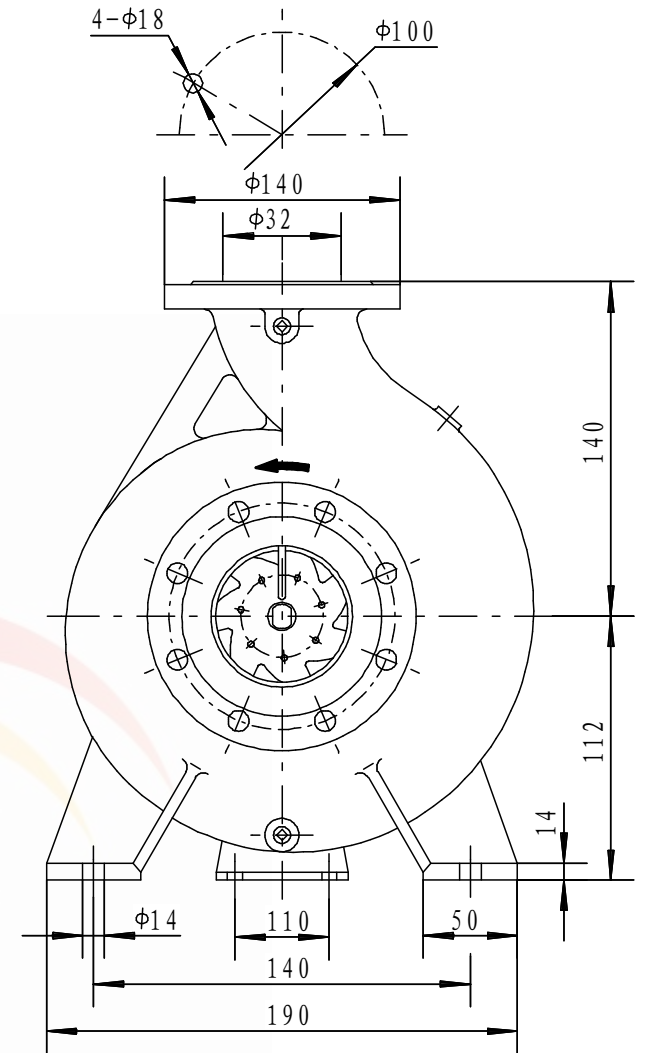
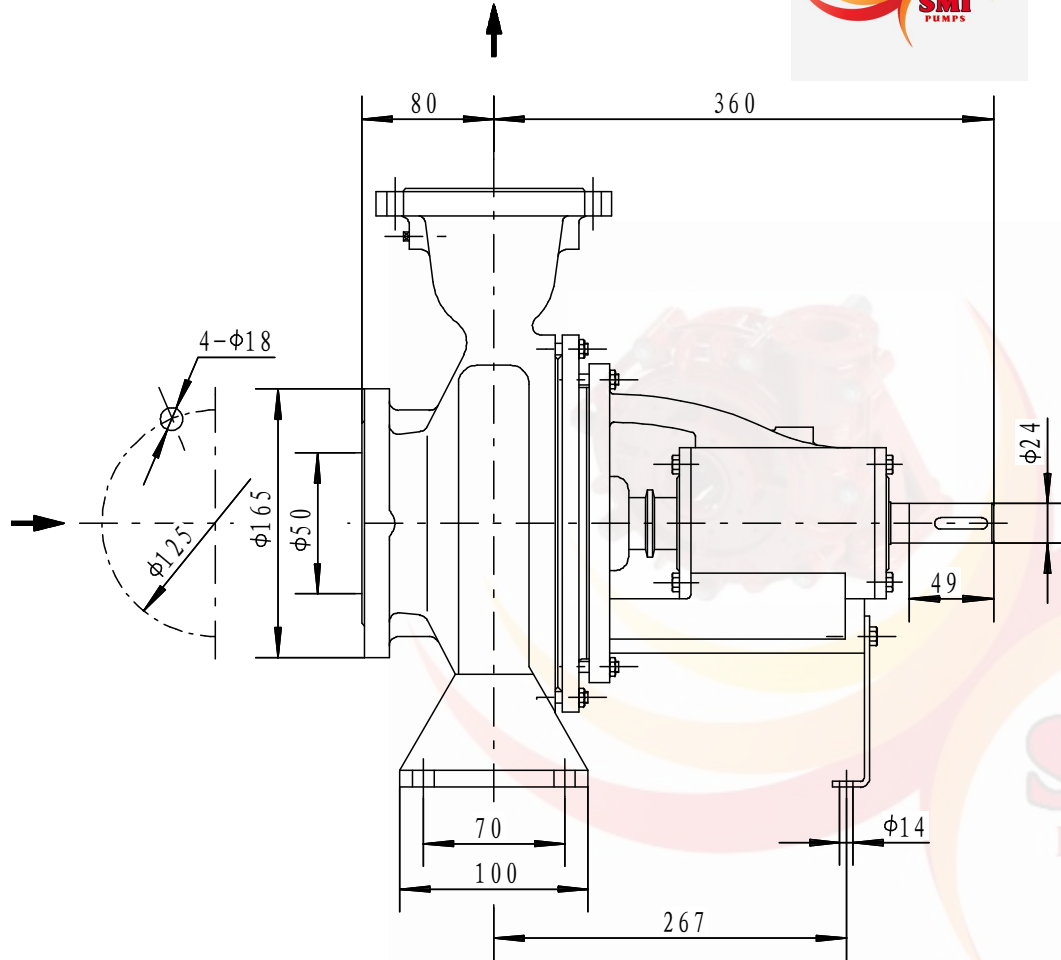


SMI PUMP HEAD OUTLINE DRAWINGS



XA 32/13-000



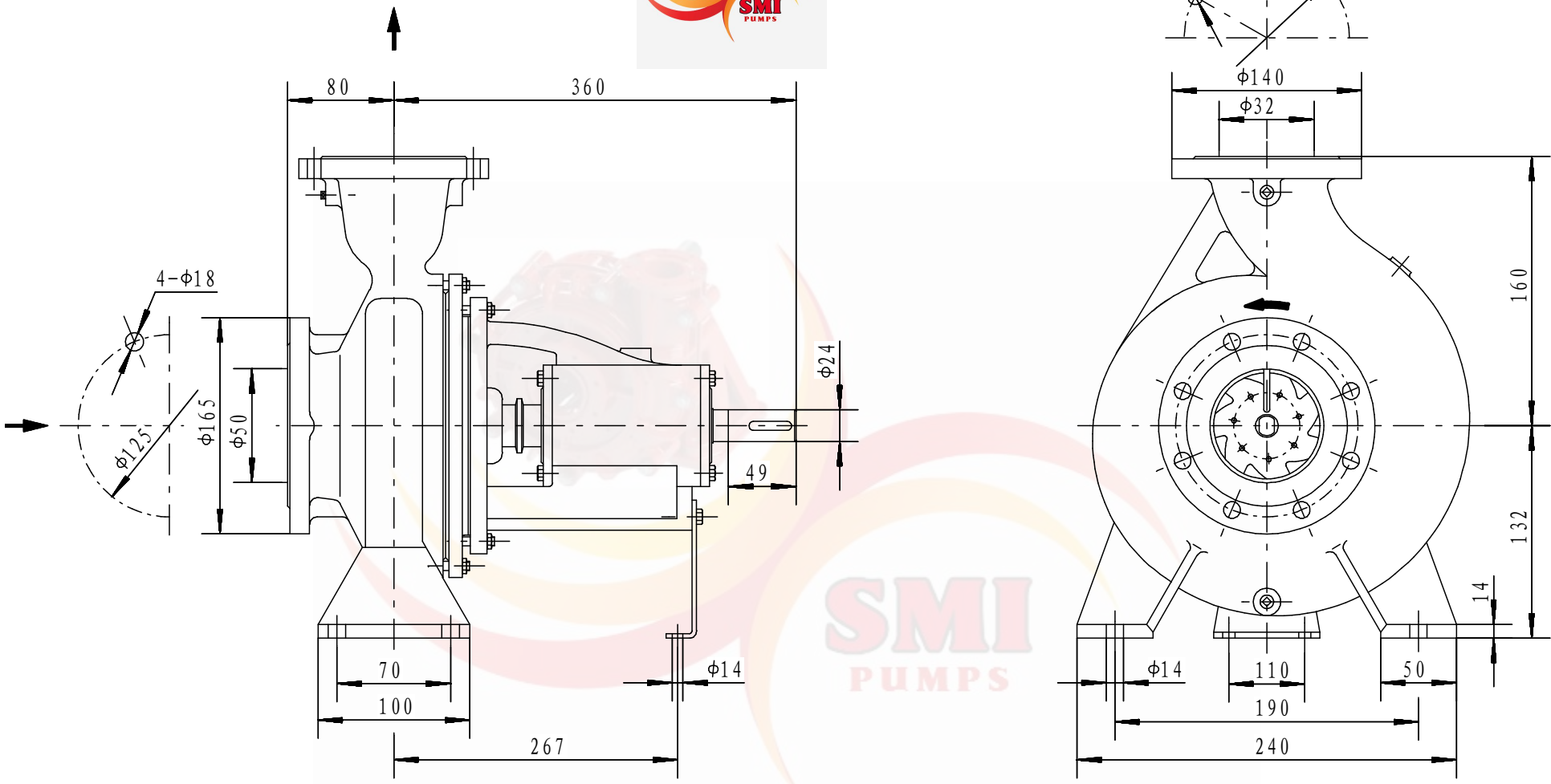
www.smipumps.co.za
13 Patrick Road ,Jetpark

| | | | | | |
|--|--|--|--|--|--|
| | | | | | |
| | | | | | |
| | | | | | |
| | | | | | |
| | | | | | |
| | | | | | |
| | | | | | |
| | | | | | |

| | |
|---------------------------|--|
| XA 32/13 | |
| Pump head outline drawing | |
| | |
| | |

| | | | |
|--------------|--|--|--|
| XA 32/13-000 | | | |
| S | | | |
| | | | |
| SMI PUMPS | | | |

XA32/16-000



| |
|--|
| |
| |
| |
| |
| |
| |
| |
| |

| | | | | | |
|--|--|--|--|--|--|
| | | | | | |
| | | | | | |
| | | | | | |
| | | | | | |
| | | | | | |
| | | | | | |
| | | | | | |
| | | | | | |
| | | | | | |
| | | | | | |
| | | | | | |
| | | | | | |

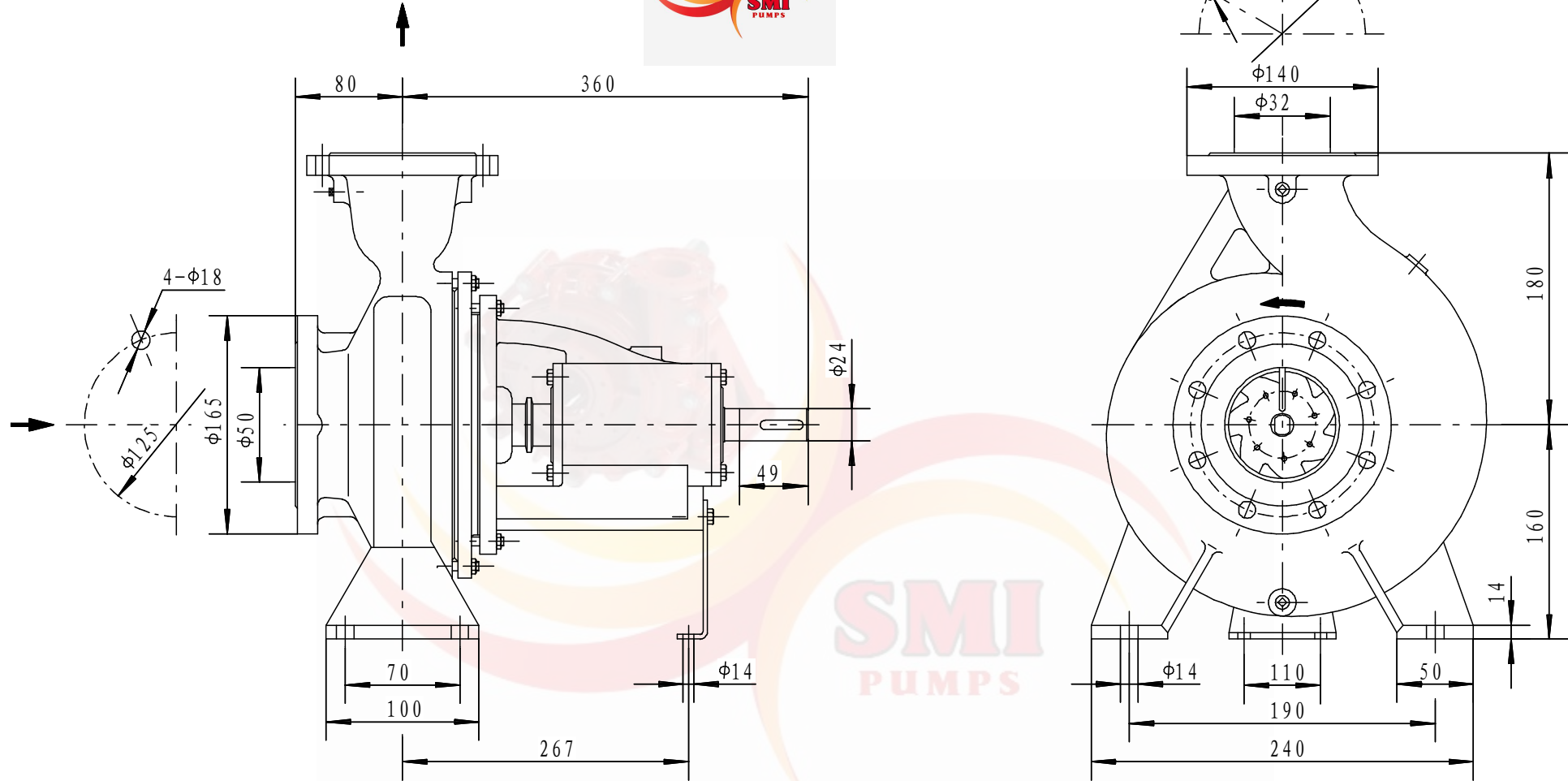
| | |
|---------------------------|--|
| XA32/16-000 | |
| Pump head outline drawing | |
| | |

| | | | |
|-------------|--|--|--|
| XA32/16-000 | | | |
| S | | | |
| | | | |
| SMI PUMPS | | | |

www.smipumps.co.za
13 Patrick Road ,Jetpark

20120718

XA 32/20-000



SMI
PUMPS

www.smipumps.co.za
13 Patrick Road ,Jetpark

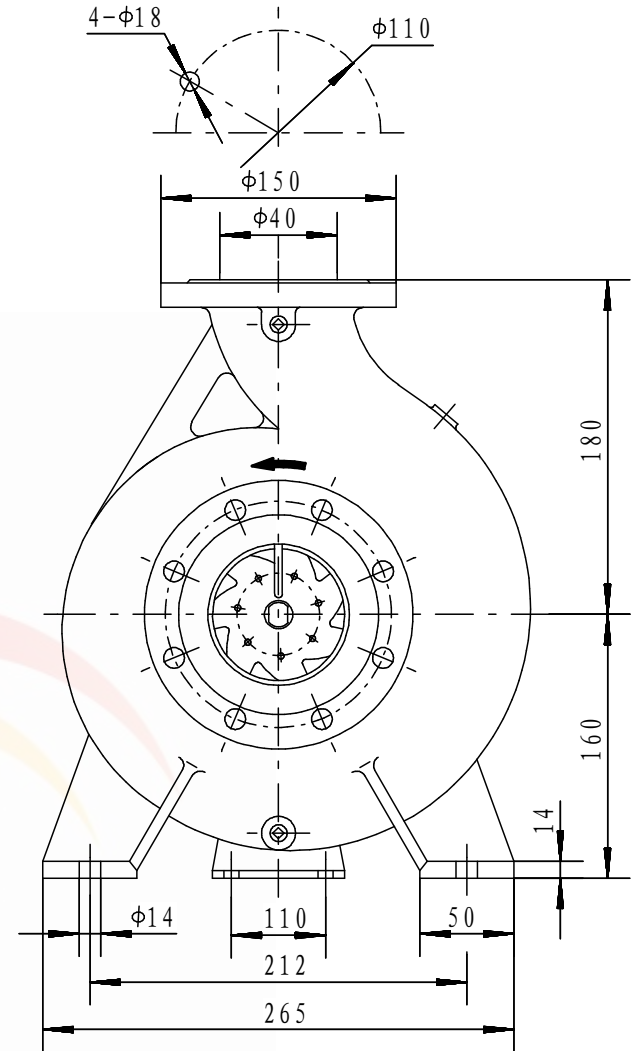
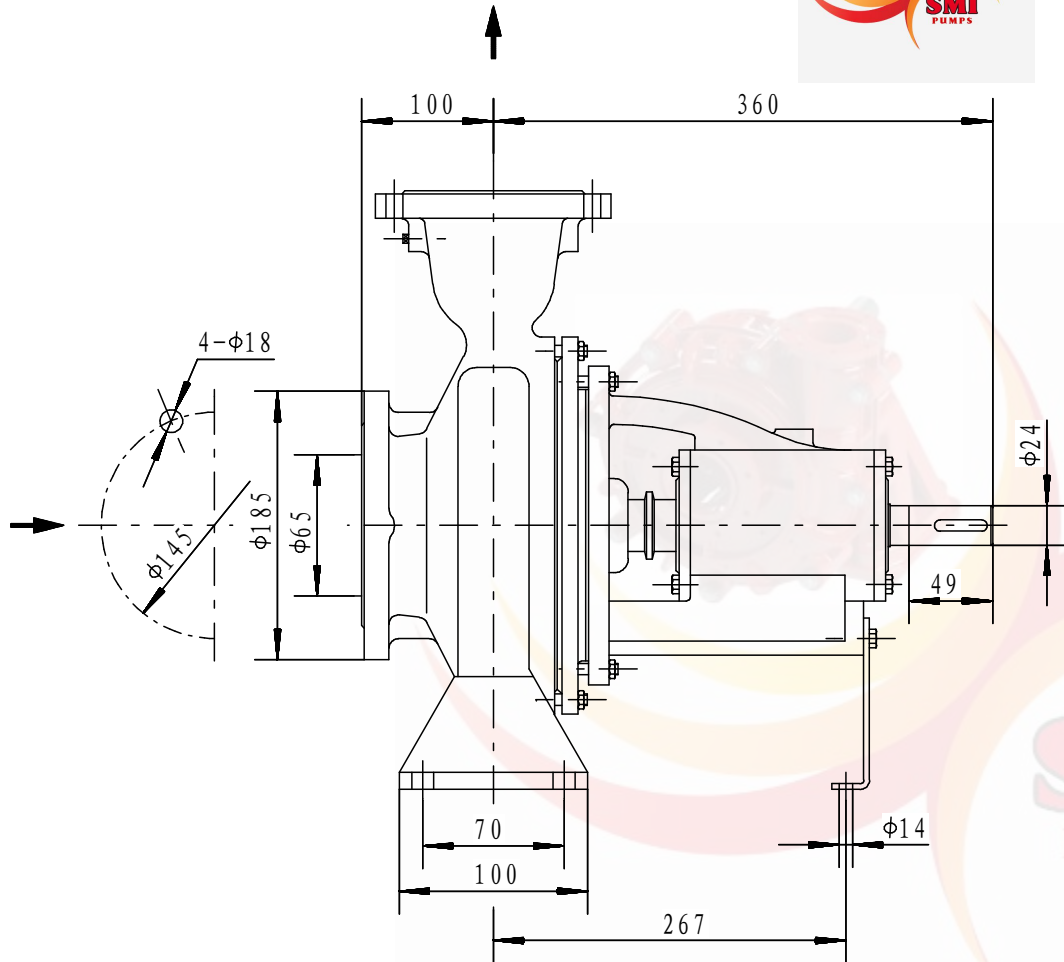
| | | | | | | | |
|--|--|--|--|--|--|--|--|
| | | | | | | | |
| | | | | | | | |
| | | | | | | | |
| | | | | | | | |
| | | | | | | | |
| | | | | | | | |
| | | | | | | | |
| | | | | | | | |

XA 32/20-000
Pump head outline drawing

| | | | |
|--------------|--|--|--|
| XA 32/20-000 | | | |
| S | | | |
| SMI PUMPS | | | |

20090407

XA40/20-000



www.smipumps.co.za
13 Patrick Road ,Jetpark

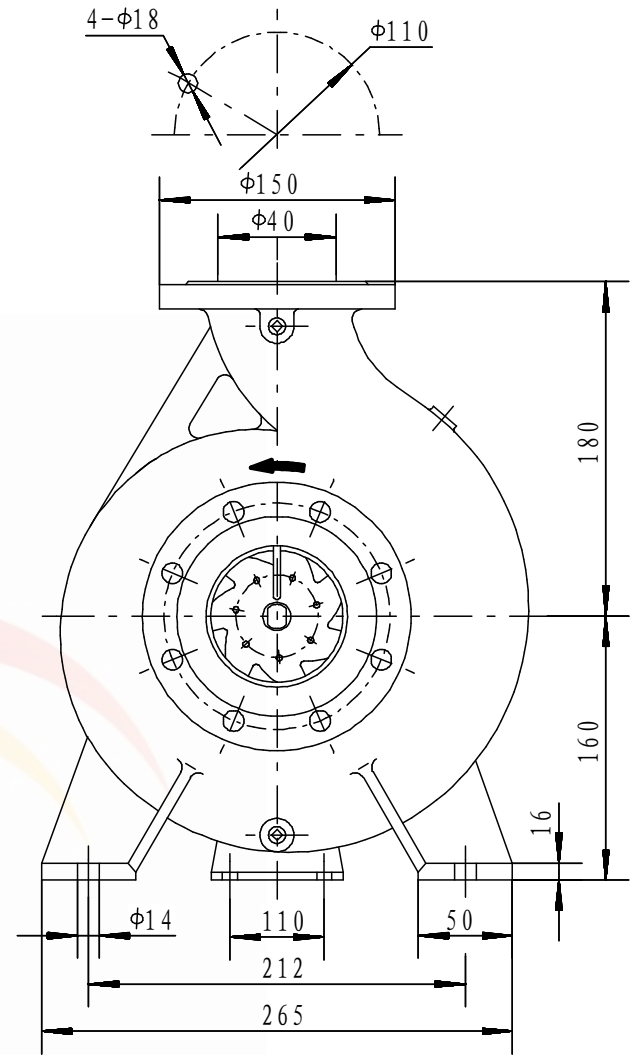
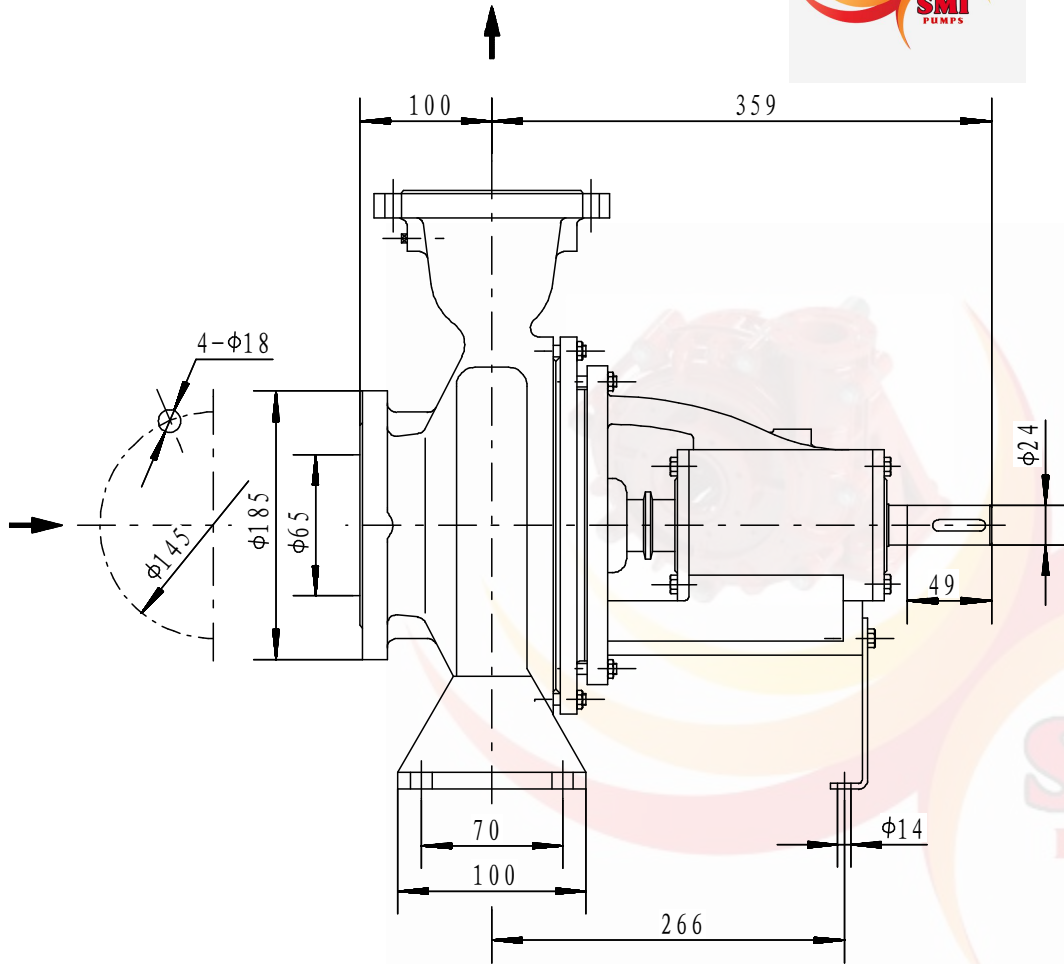
| | | | | | |
|--|--|--|--|--|--|
| | | | | | |
| | | | | | |
| | | | | | |
| | | | | | |
| | | | | | |
| | | | | | |
| | | | | | |
| | | | | | |
| | | | | | |
| | | | | | |
| | | | | | |
| | | | | | |

20130822

XA40/20
Pump head outline drawing

| | | | | |
|-------------|--|--|--|--|
| XA40/20-000 | | | | |
| S | | | | |
| | | | | |
| | | | | |

XA40/20-000



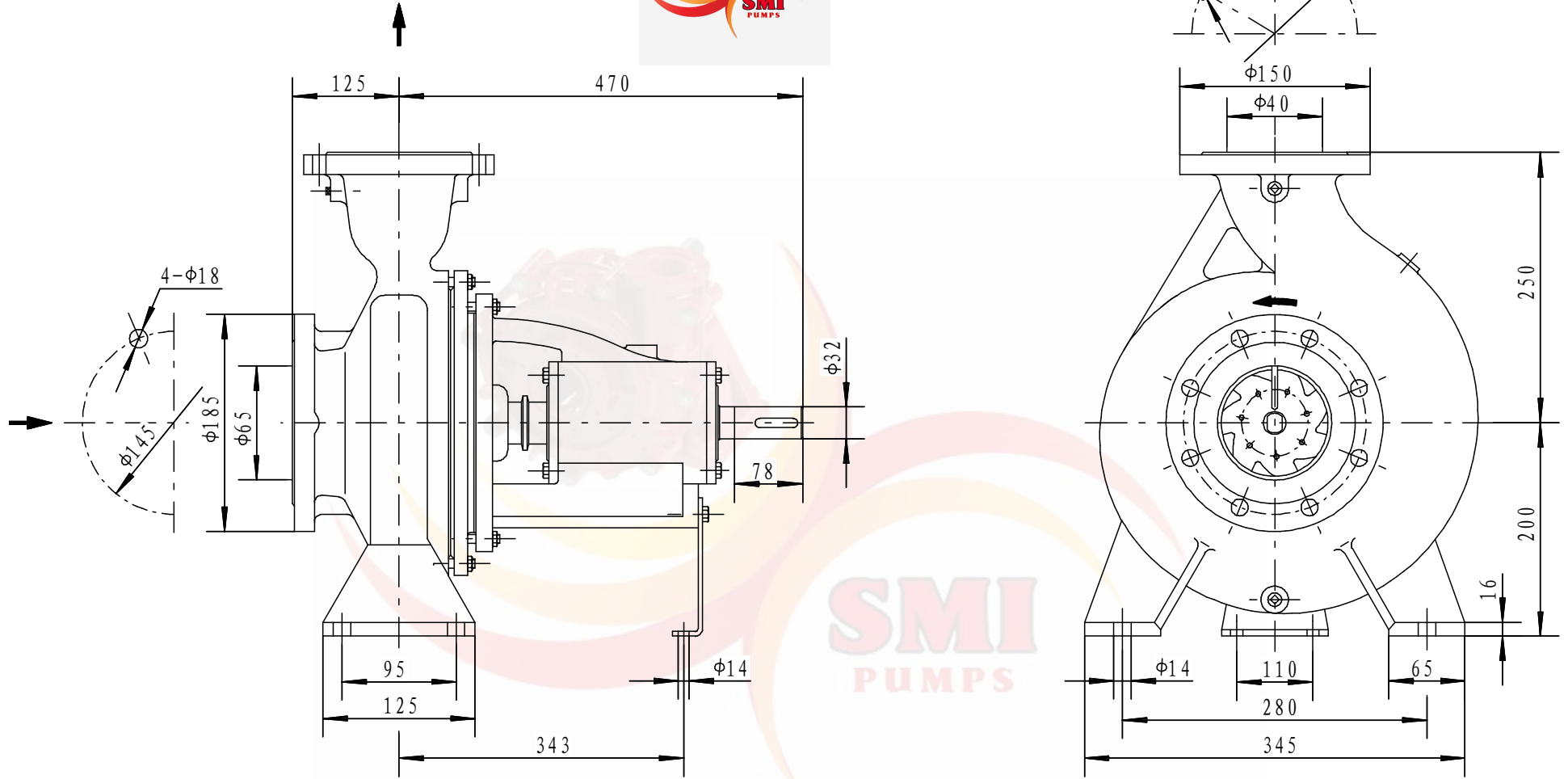
www.smipumps.co.za
 13 Patrick Road ,Jetpark

| | | | | |
|--|--|--|--|--|
| | | | | |
| | | | | |
| | | | | |
| | | | | |
| | | | | |
| | | | | |
| | | | | |
| | | | | |
| | | | | |
| | | | | |
| | | | | |

XA40/20-000
 Pump head outline drawing

| | | | |
|-------------|--|--|--|
| XA40/20-000 | | | |
| S | | | |
| SMI PUMPS | | | |

XA40/32-000



www.smipumps.co.za
13 Patrick Road ,Jetpark

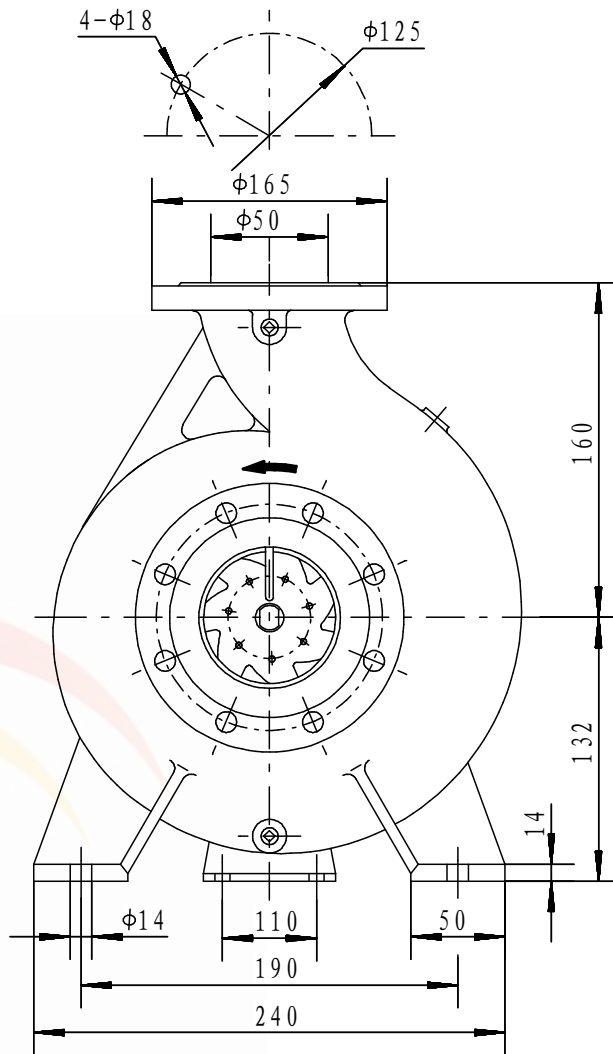
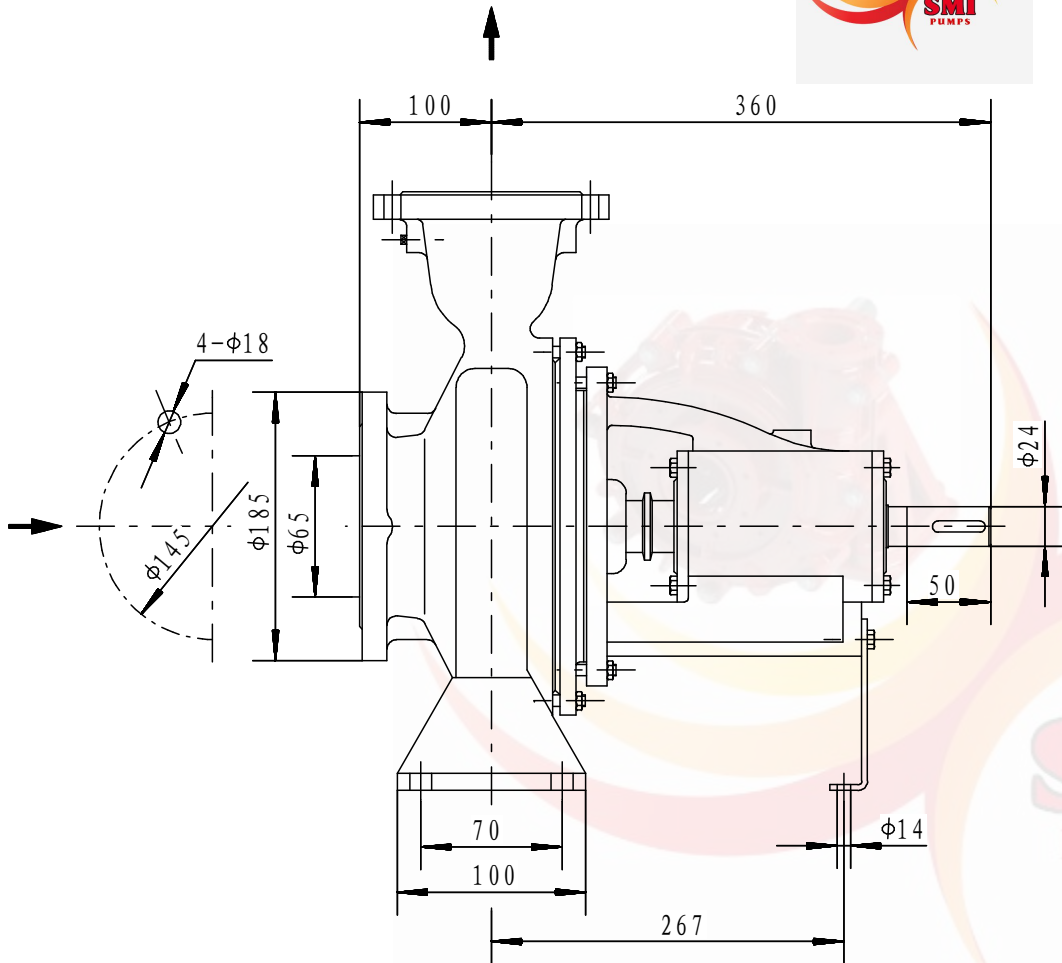
| | | | | | |
|--|--|--|--|--|--|
| | | | | | |
| | | | | | |
| | | | | | |
| | | | | | |
| | | | | | |
| | | | | | |
| | | | | | |
| | | | | | |
| | | | | | |
| | | | | | |
| | | | | | |
| | | | | | |

XA40/32-000
Pump head outline drawing

| | | | |
|-------------|--|--|--|
| XA40/32-000 | | | |
| S | | | |
| | | | |

SMI PUMPS

AIX50/13-000



www.smipumps.co.za
 13 Patrick Road, Jetpark

| | | | | | |
|--|--|--|--|--|--|
| | | | | | |
| | | | | | |
| | | | | | |
| | | | | | |
| | | | | | |
| | | | | | |
| | | | | | |
| | | | | | |
| | | | | | |
| | | | | | |
| | | | | | |
| | | | | | |
| | | | | | |
| | | | | | |
| | | | | | |
| | | | | | |
| | | | | | |

AIX50/13-000

Pump head outline drawing

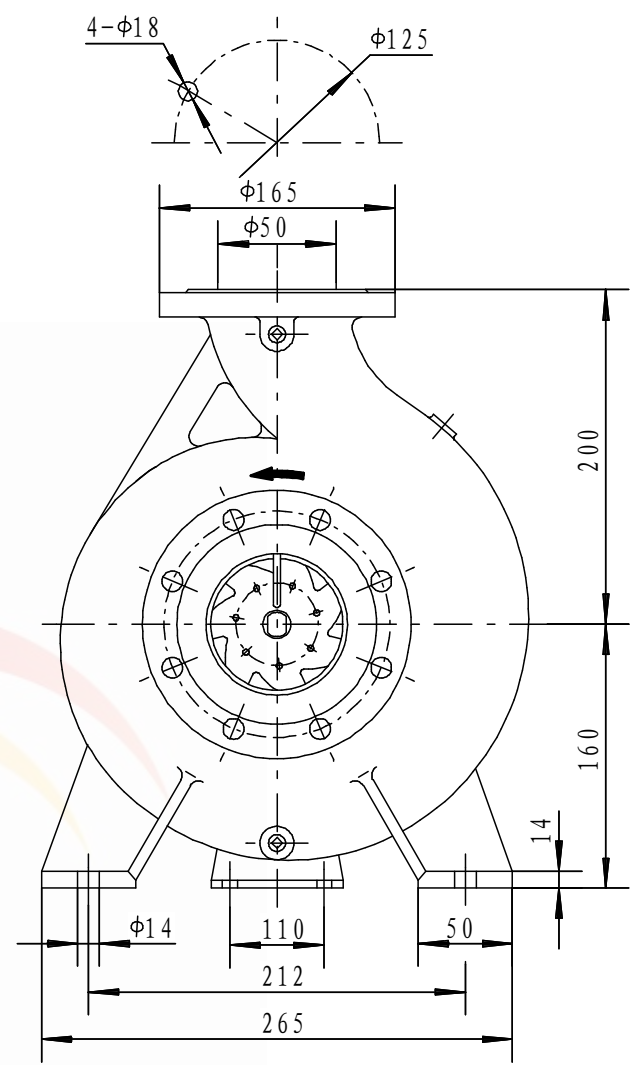
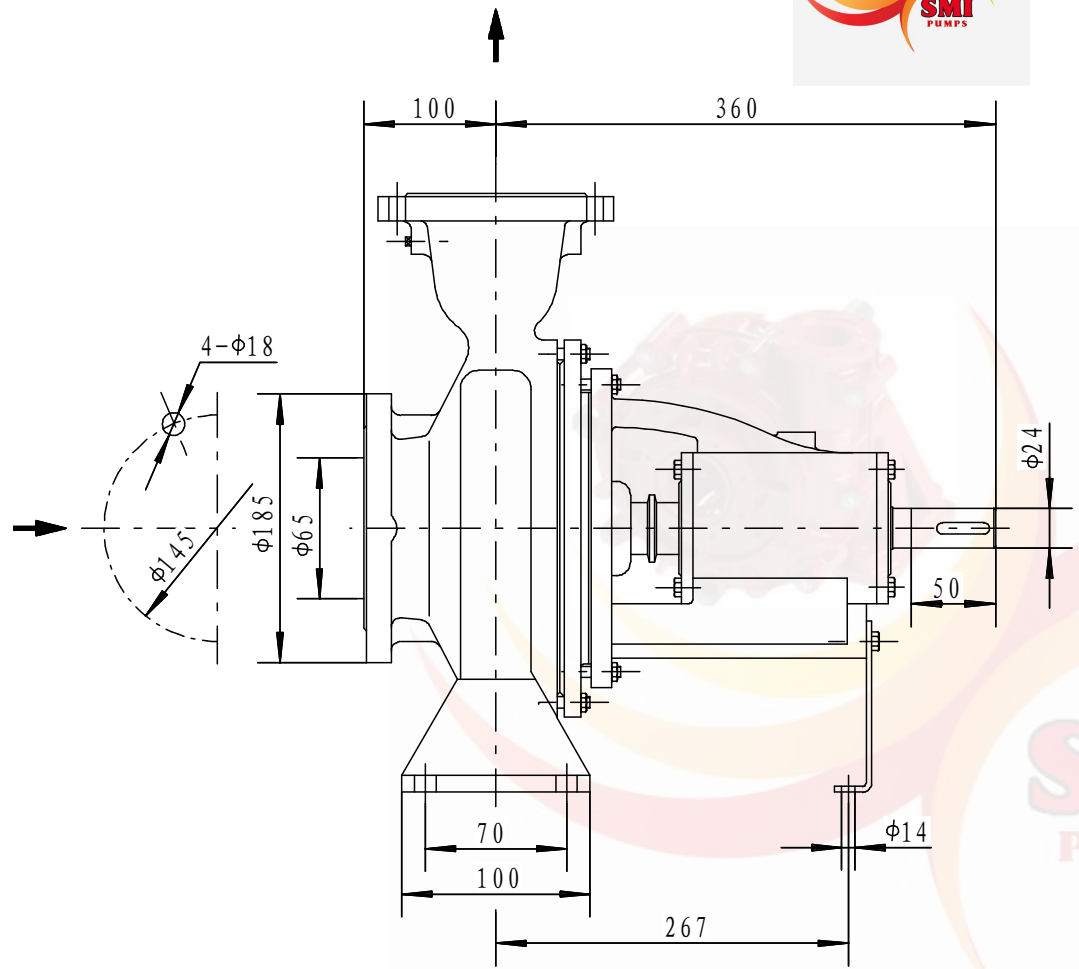
AIX50/13-000

S

SMI PUMPS

20130822

AIX50/20-000



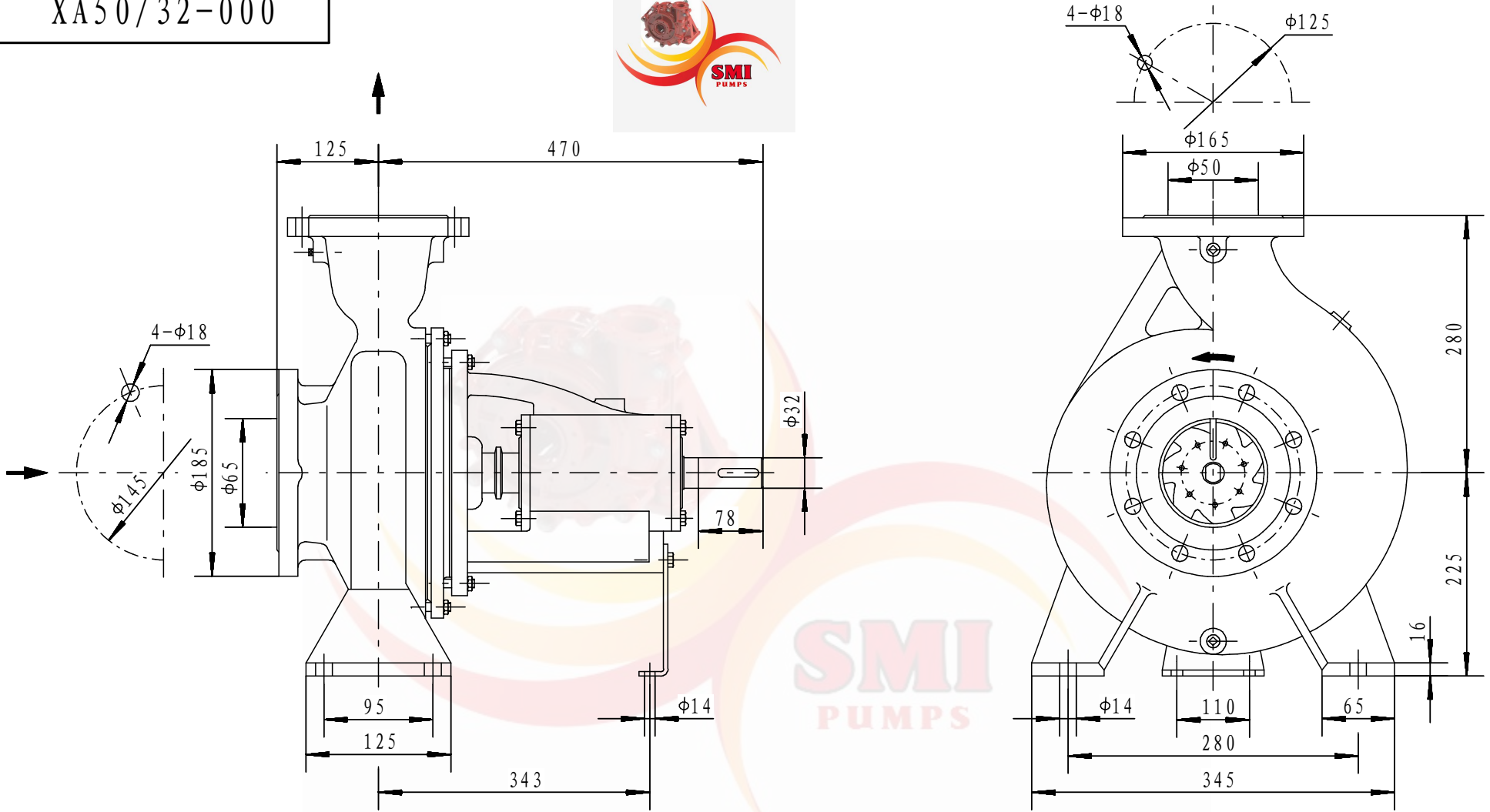
www.smipumps.co.za
13 Patrick Road ,Jetpark

| | | | | |
|--|--|--|--|----------|
| | | | | |
| | | | | |
| | | | | |
| | | | | |
| | | | | |
| | | | | |
| | | | | |
| | | | | |
| | | | | |
| | | | | 20090211 |

AIX50/20-000
Pump head outline drawing

| | | | | |
|--------------|--|--|--|--|
| AIX50/20-000 | | | | |
| | | | | |
| S | | | | |
| SMI PUMPS | | | | |

XA50/32-000



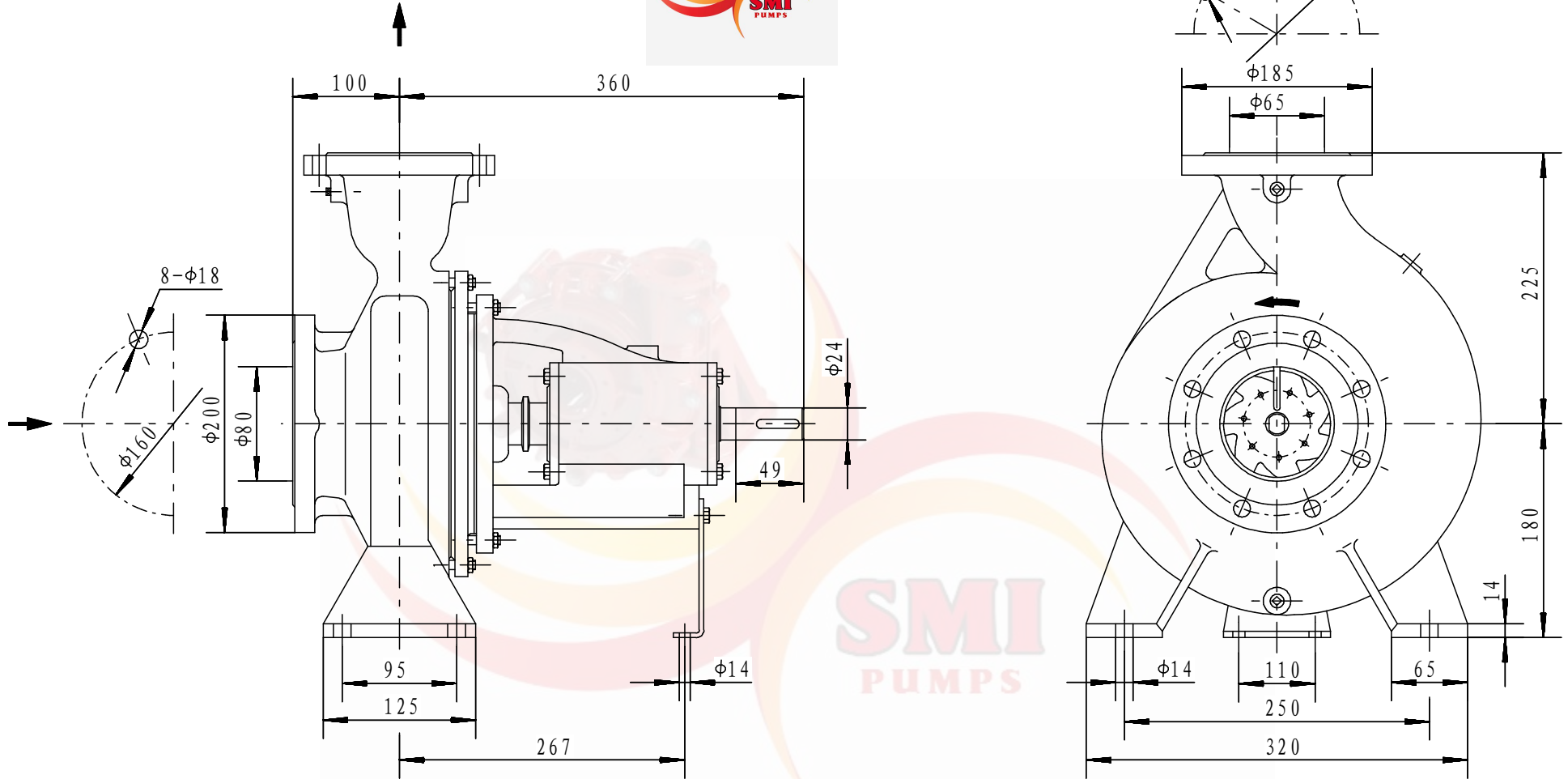
www.smipumps.co.za
13 Patrick Road ,Jetpark

| | | | | |
|--|--|--|--|--|
| | | | | |
| | | | | |
| | | | | |
| | | | | |
| | | | | |
| | | | | |
| | | | | |
| | | | | |
| | | | | |
| | | | | |

XA50/32
Pump head outline drawing

| | | | | |
|-------------|--|--|--|--|
| XA50/32-000 | | | | |
| S | | | | |
| SMI PUMPS | | | | |

XA65/20-000



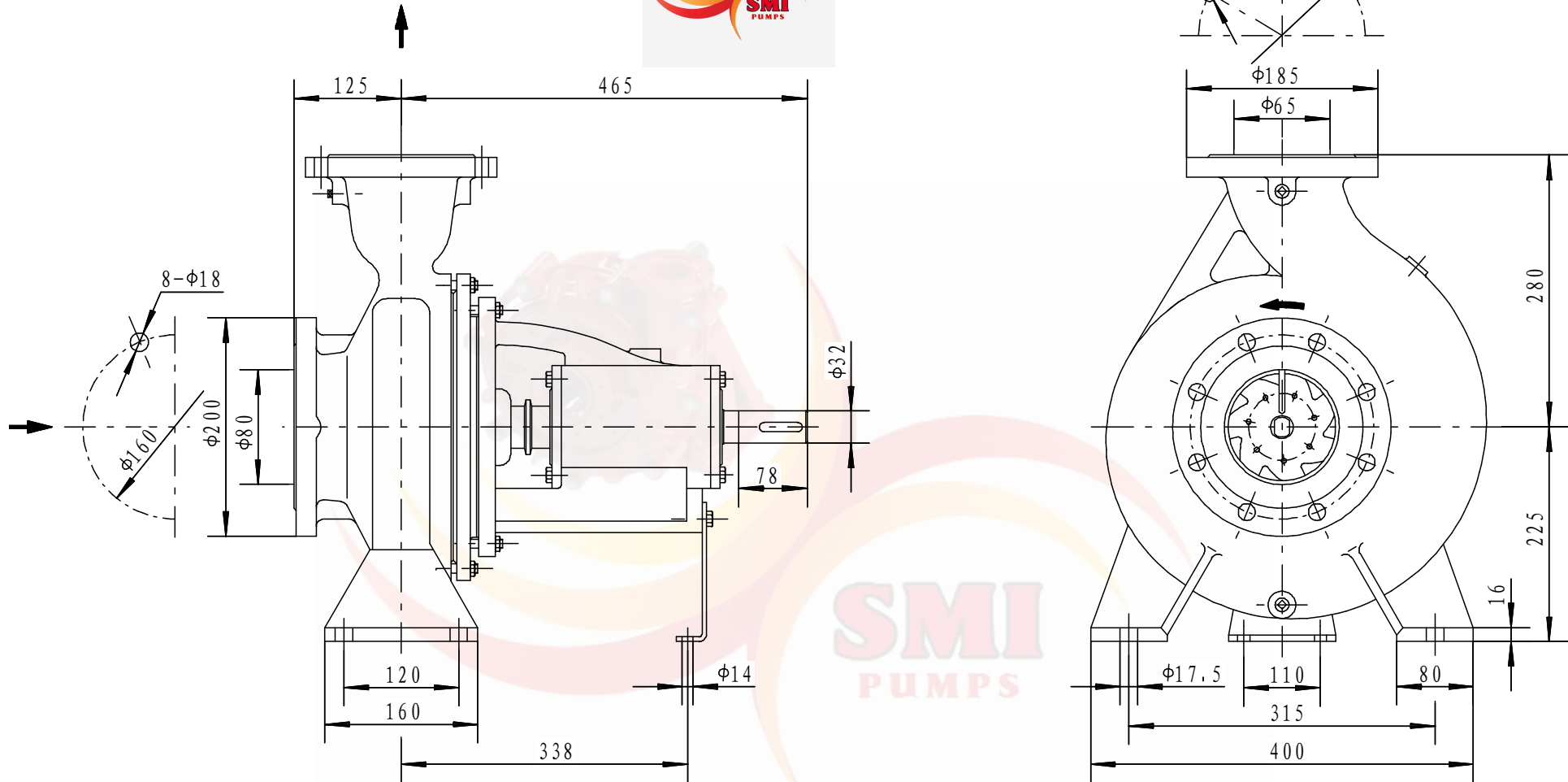
www.smipumps.co.za
13 Patrick Road ,Jetpark

| | | | | | |
|--|--|--|--|--|--|
| | | | | | |
| | | | | | |
| | | | | | |
| | | | | | |
| | | | | | |
| | | | | | |
| | | | | | |
| | | | | | |
| | | | | | |
| | | | | | |

XA65/20-000
Pump head outline drawing

| | | | |
|-------------|--|--|--|
| XA65/20-000 | | | |
| S | | | |
| smi pumps | | | |

000-28/59VX



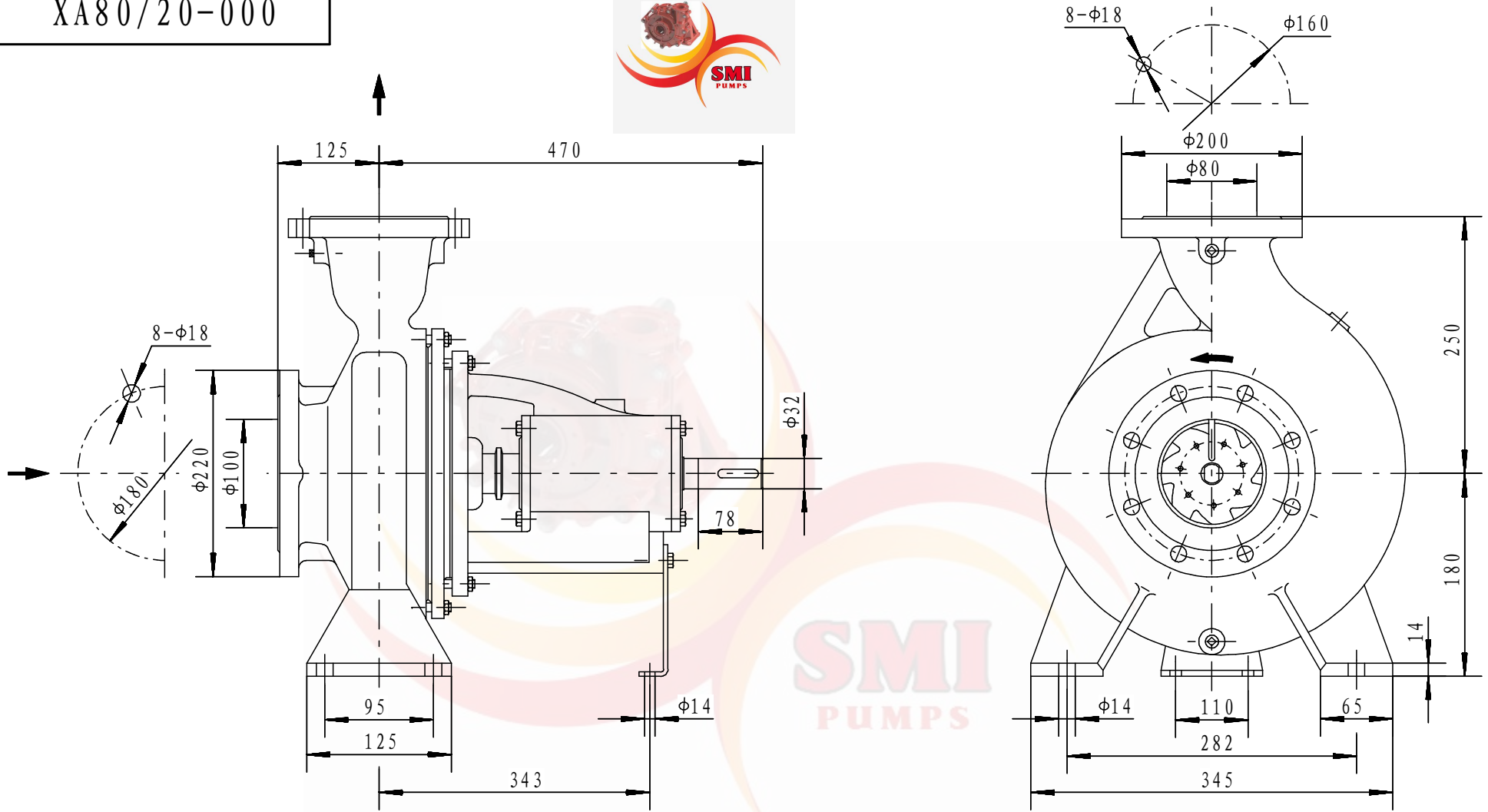
www.smipumps.co.za
 13 Patrick Road ,Jetpark

| | | | | |
|--|--|--|--|----------|
| | | | | |
| | | | | |
| | | | | |
| | | | | |
| | | | | |
| | | | | |
| | | | | |
| | | | | |
| | | | | |
| | | | | |
| | | | | |
| | | | | 20090407 |

XA65/32-000
 Pump head outline drawing

| | | | |
|-------------|--|--|--|
| XA65/32-000 | | | |
| S | | | |
| SMI PUMPS | | | |

XA80/20-000



www.smipumps.co.za
13 Patrick Road ,Jetpark

| | | | | |
|--|--|--|--|--|
| | | | | |
| | | | | |
| | | | | |
| | | | | |
| | | | | |
| | | | | |
| | | | | |
| | | | | |

XA80/20-000
Pump head outline drawing

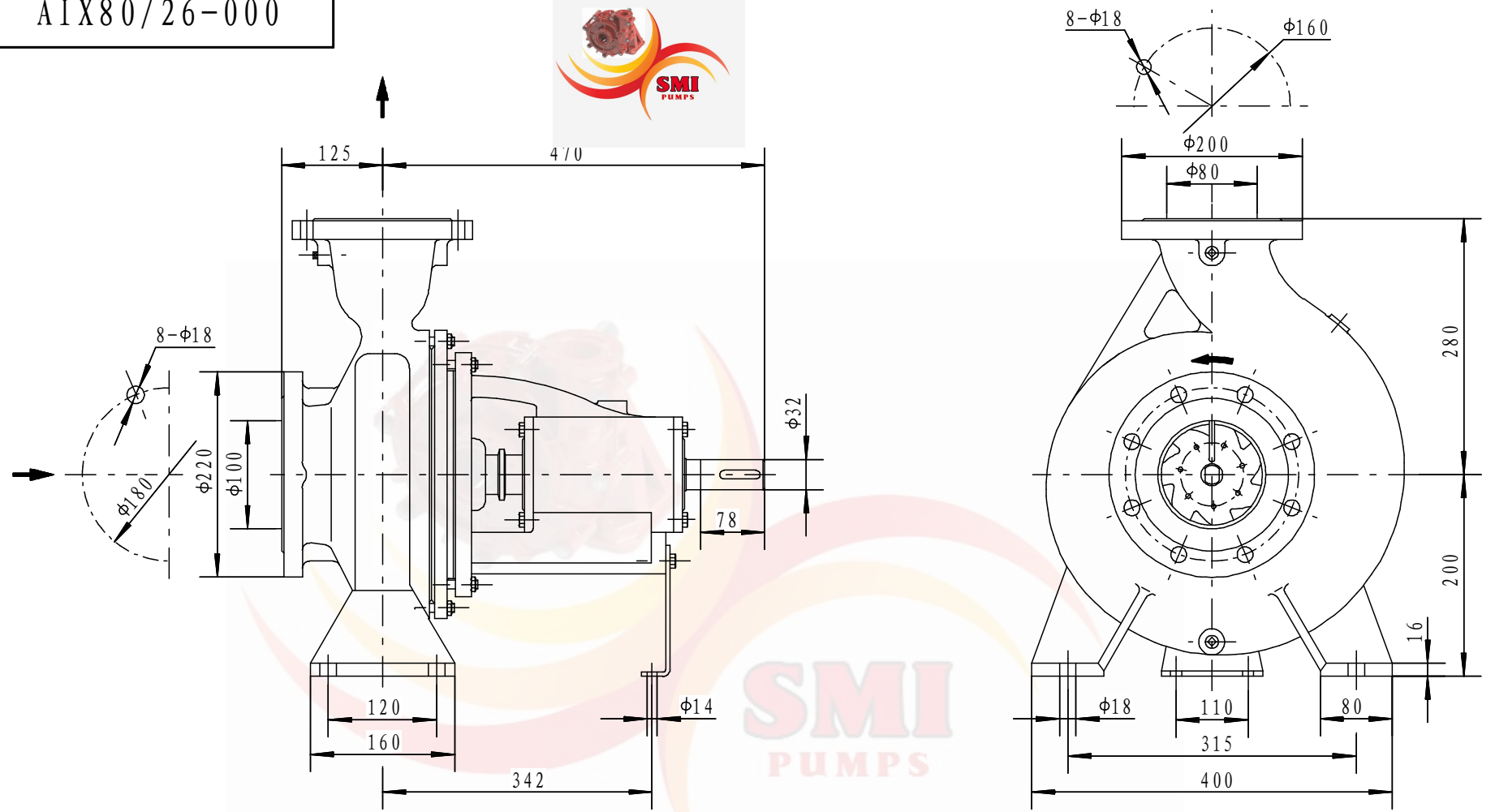
XA80/20-000

| | | | | |
|---|--|--|--|--|
| S | | | | |
| | | | | |

SMI PUMPS

20130822

AIX80/26-000



SMI PUMPS

AIX80/26-000
 Pump head outline drawing

AIX80/26-000

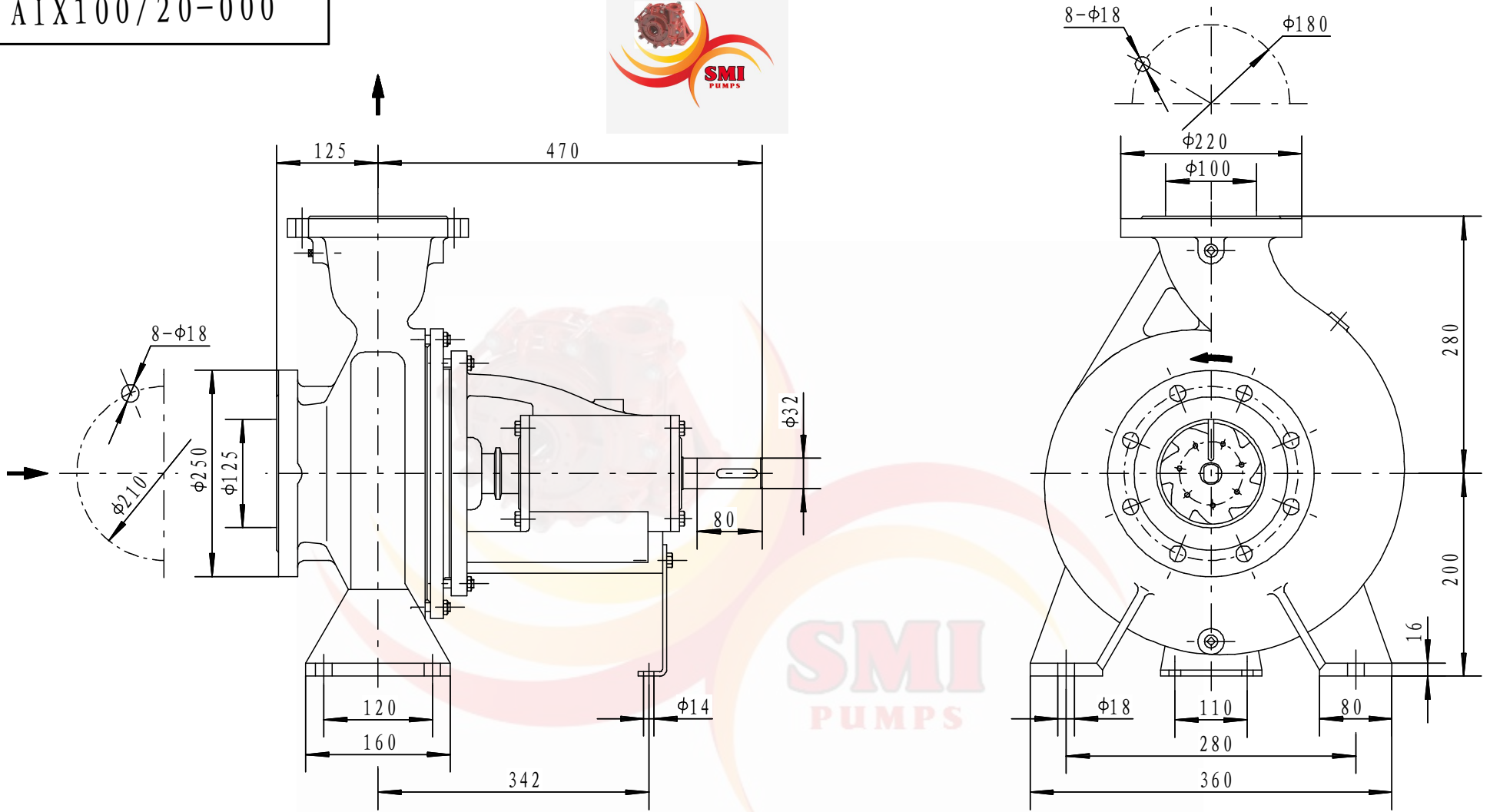
| | | | | |
|---|--|--|--|--|
| S | | | | |
|---|--|--|--|--|

SMI PUMPS

www.smipumps.co.za
 13 Patrick Road ,Jetpark

20090211

AIX100/20-000



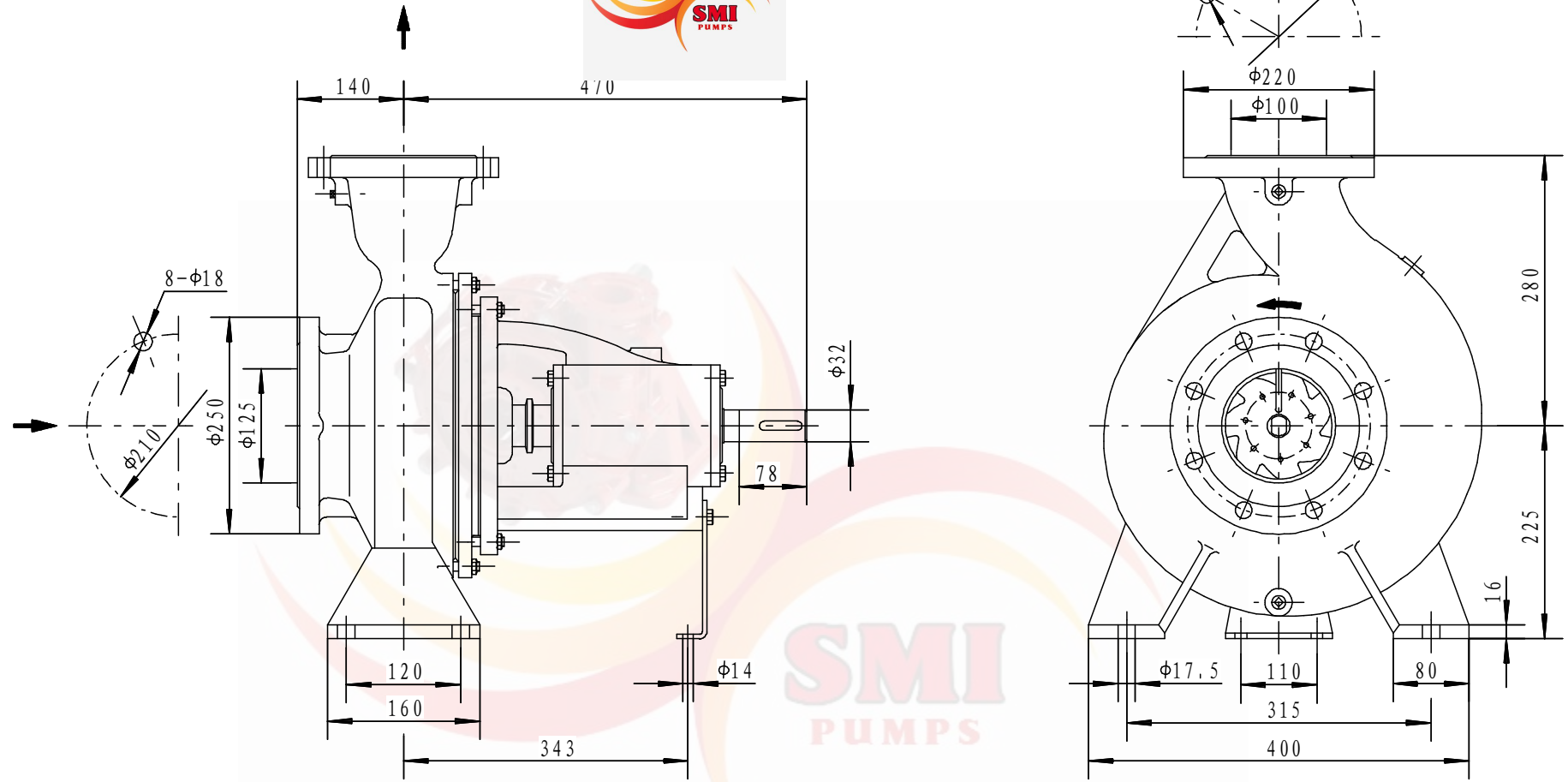
www.smipumps.co.za
 13 Patrick Road ,Jetpark

| | | | | | |
|--|--|--|----|----------|--|
| | | | | | |
| | | | | | |
| | | | 签字 | 日期 | |
| | | | 审定 | | |
| | | | 日期 | 20090218 | |

AIX100/20-000
 Pump head outline drawing

| | | | |
|---------------|--|--|--|
| AIX100/20-000 | | | |
| S | | | |
| SMI PUMPS | | | |

XA100/26-000



| |
|--|
| |
| |
| |
| |
| |
| |
| |
| |
| |
| |
| |
| |
| |
| |
| |
| |
| |
| |
| |
| |

| | | | | | |
|--|--|--|--|--|--|
| | | | | | |
| | | | | | |
| | | | | | |
| | | | | | |
| | | | | | |
| | | | | | |
| | | | | | |
| | | | | | |
| | | | | | |
| | | | | | |
| | | | | | |
| | | | | | |

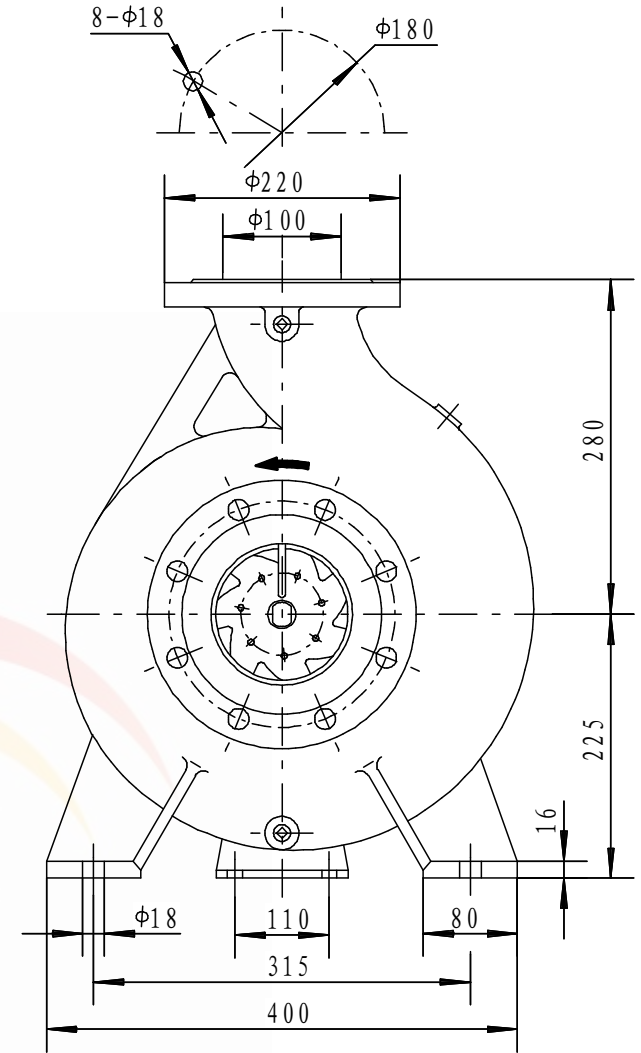
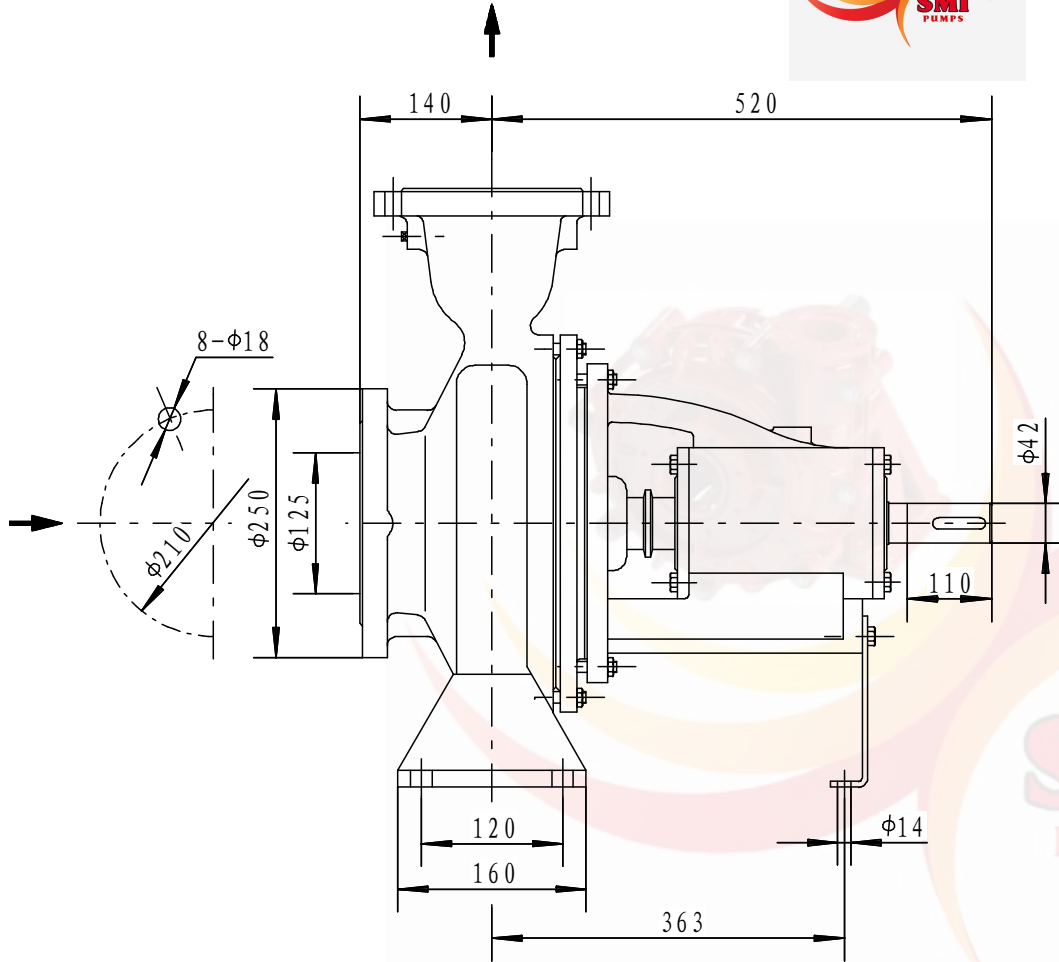
| |
|---|
| XA100/26-000 Pump head outline drawing |
|---|

| | | | |
|--------------|--|--|--|
| XA100/26-000 | | | |
| S | | | |
| SMI PUMPS | | | |

www.smipumps.co.za
13 Patrick Road ,Jetpark

20090304

AIX100/26H-000



SMI
PUMPS

www.smipumps.co.za
13 Patrick Road ,Jetpark

| | | | | |
|--|--|--|--|----------|
| | | | | |
| | | | | |
| | | | | |
| | | | | |
| | | | | |
| | | | | |
| | | | | |
| | | | | |
| | | | | |
| | | | | 20090211 |

AIX100/26H-000

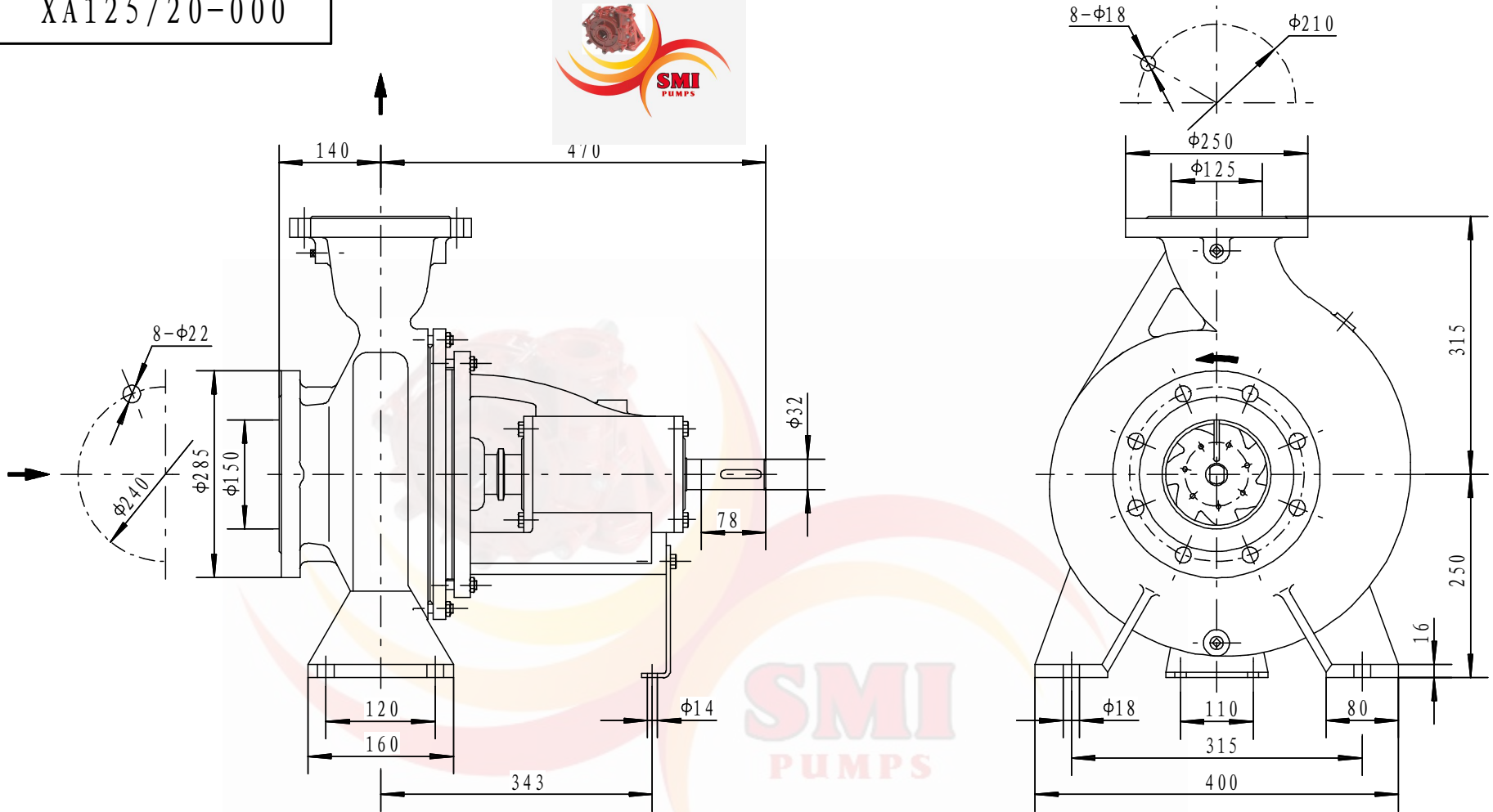
Pump head outline drawing

AIX100/26H-000

S

SMI PUMPS

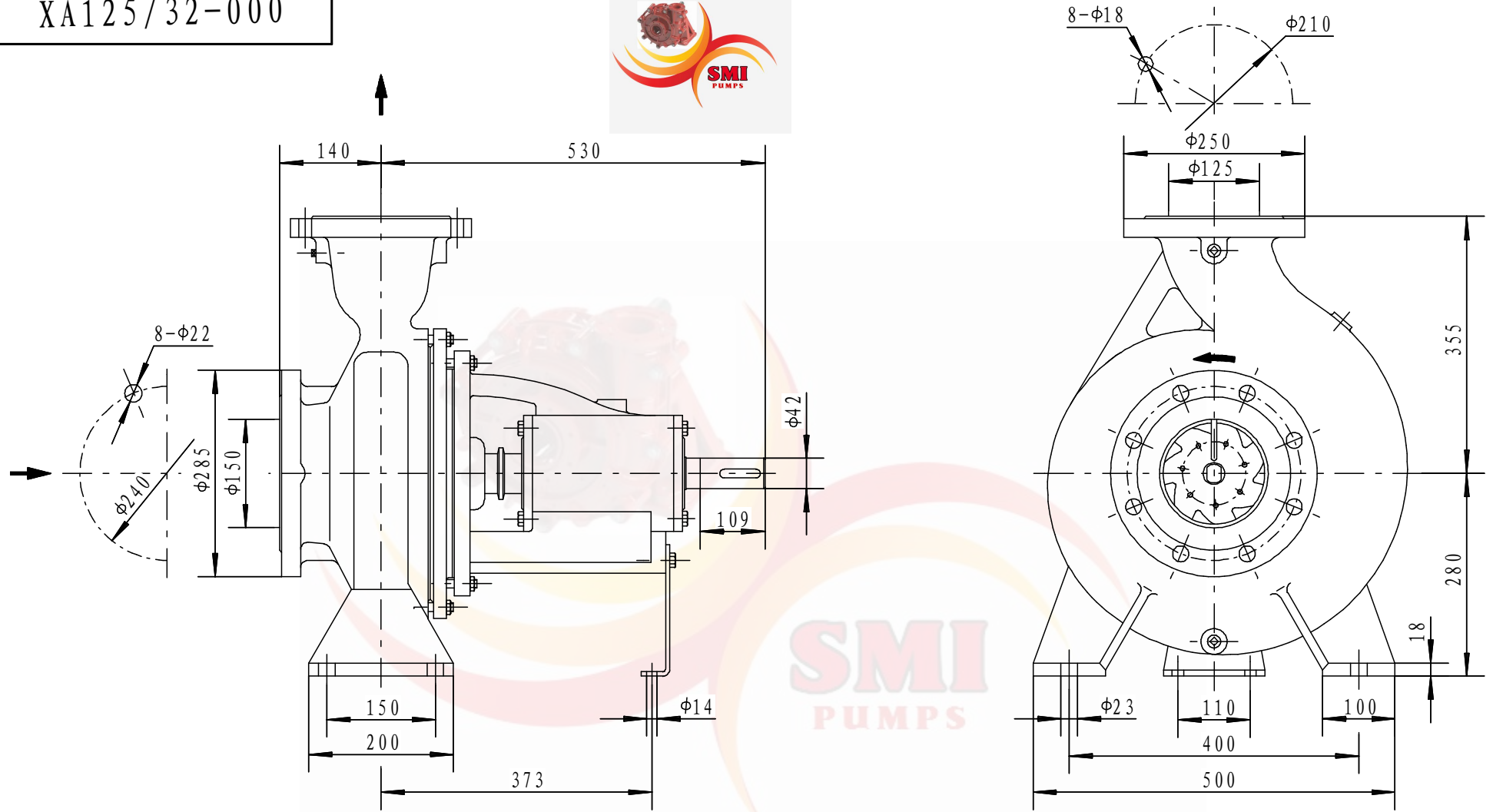
XA125/20-000



www.smipumps.co.za
13 Patrick Road ,Jetpark

| | | | | | | | | | | |
|--|--|--|--|---------------------------|--|--------------|--|--|--|--|
| | | | | XA125/20-000 | | XA125/20-000 | | | | |
| | | | | Pump head outline drawing | | S | | | | |
| | | | | | | SMI PUMPS | | | | |
| | | | | | | 20090318 | | | | |

XA125/32-000



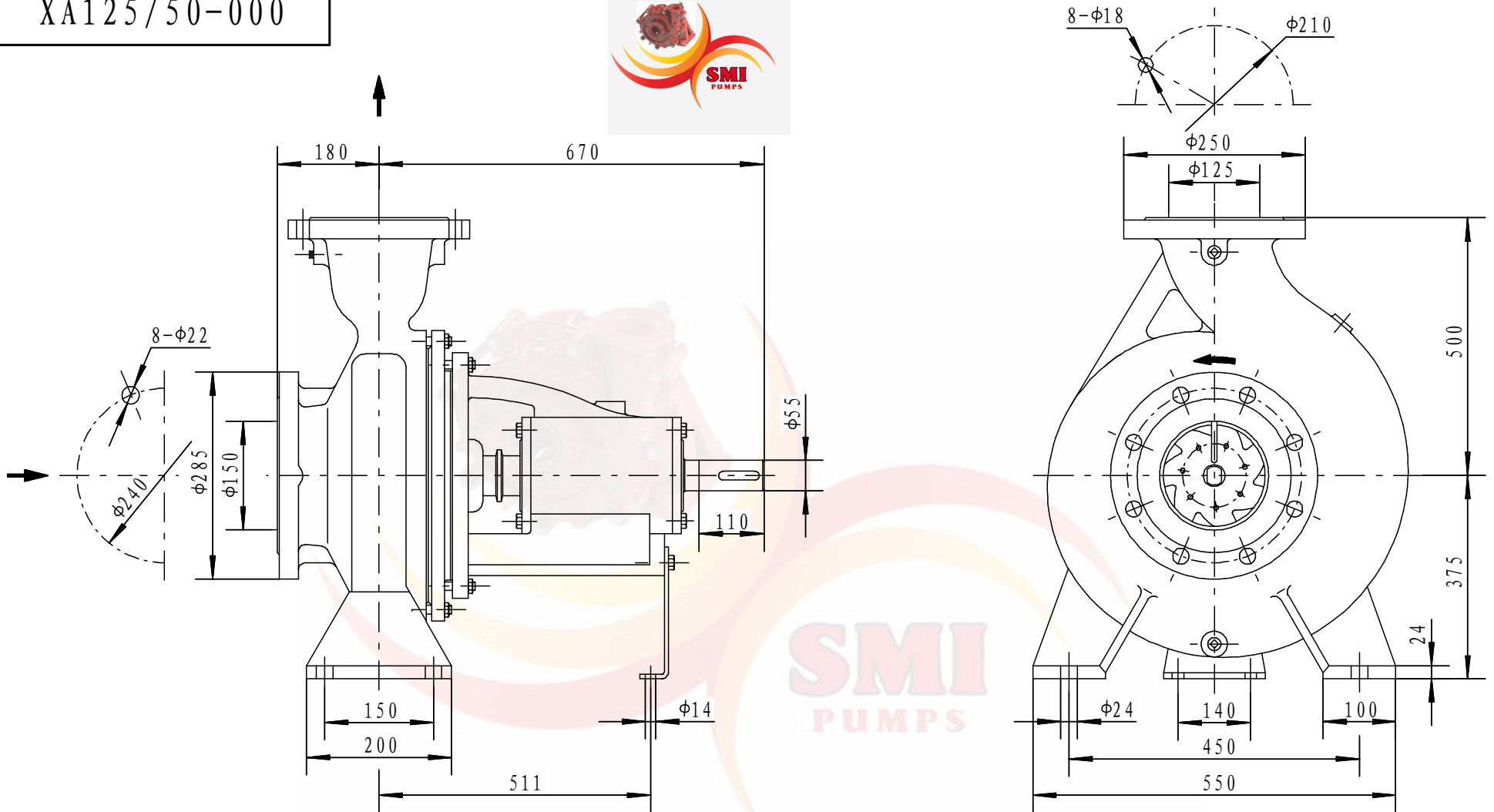
www.smipumps.co.za
 13 Patrick Road ,Jetpark

| | | | | | |
|--|--|--|--|--|----------|
| | | | | | |
| | | | | | |
| | | | | | |
| | | | | | |
| | | | | | |
| | | | | | |
| | | | | | 20090407 |

| |
|---------------------------|
| XA125/32-000 |
| Pump head outline drawing |
| |

| | | | | |
|--------------|--|--|--|--|
| XA125/32-000 | | | | |
| S | | | | |
| smi pumps | | | | |

XA125/50-000



www.smipumps.co.za
13 Patrick Road ,Jetpark

| | | | | | | | | | |
|--|--|--|--|--|--|--|--|--|--|
| | | | | | | | | | |
| | | | | | | | | | |
| | | | | | | | | | |
| | | | | | | | | | |
| | | | | | | | | | |
| | | | | | | | | | |
| | | | | | | | | | |
| | | | | | | | | | |
| | | | | | | | | | |
| | | | | | | | | | |

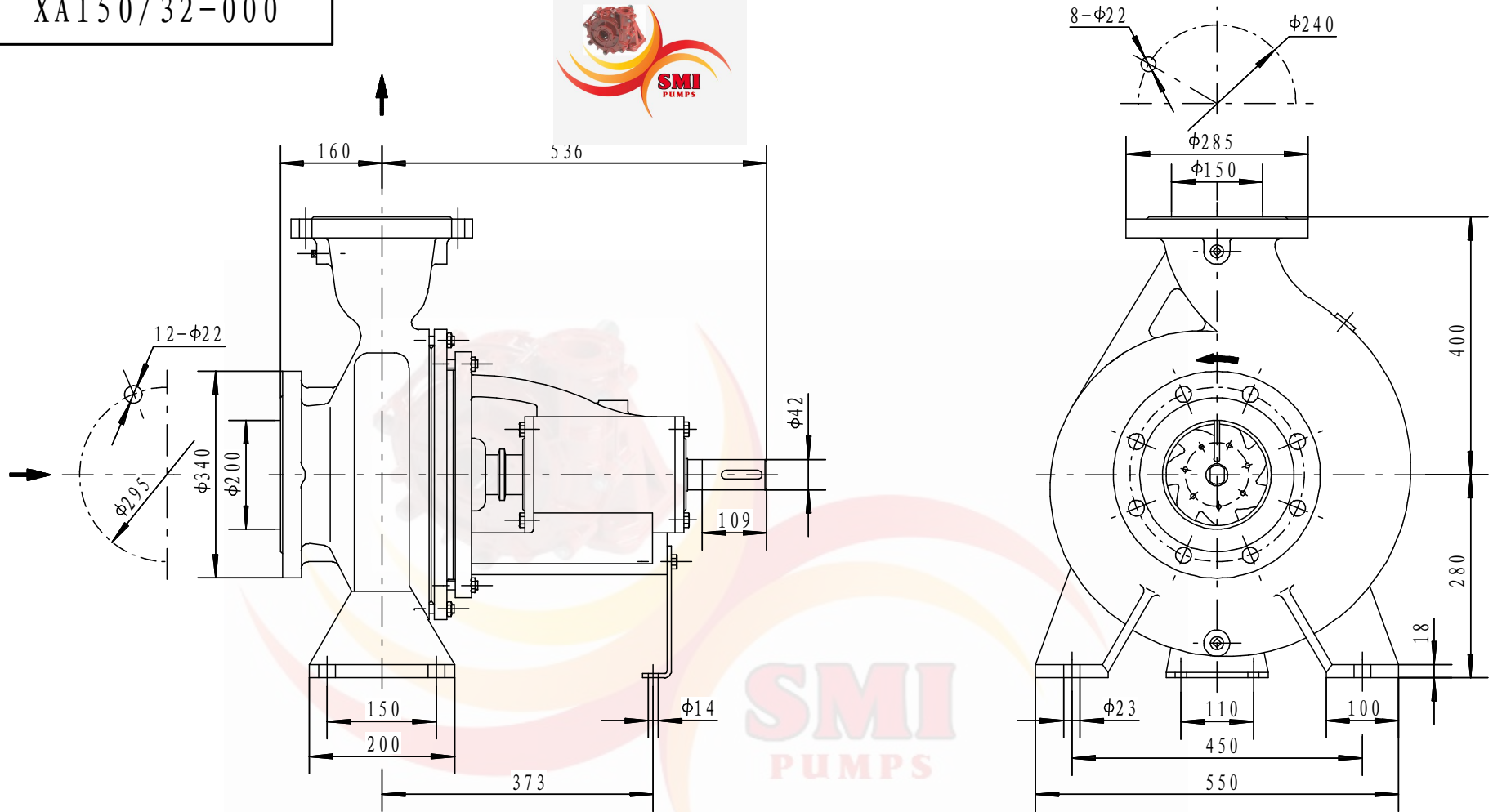
XA125/50-000

Pump head outline drawing

| | | | | |
|--------------|--|--|--|--|
| XA125/50-000 | | | | |
| S | | | | |
| smi pump | | | | |

20090407

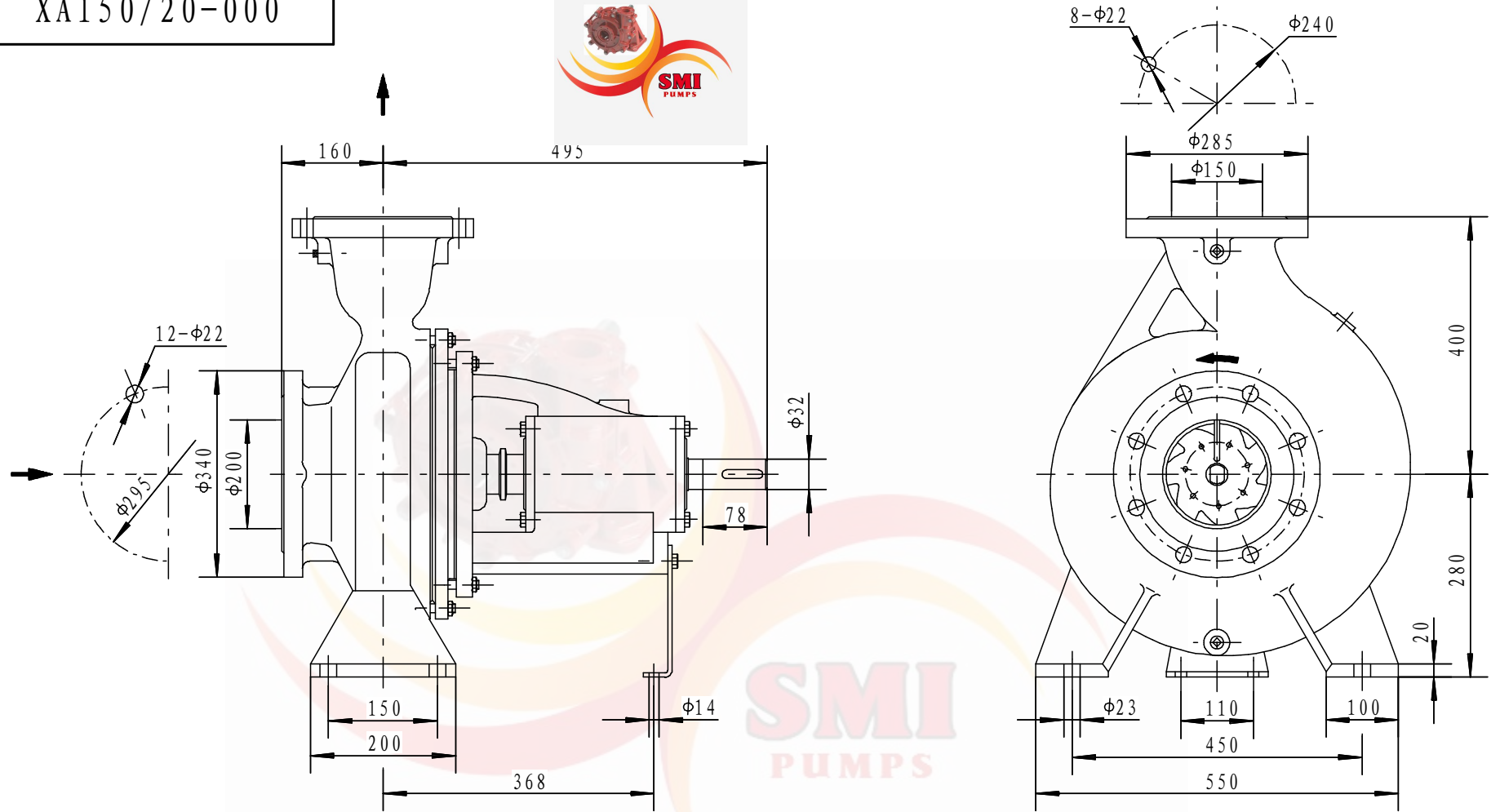
XA150/32-000



| | | | | | | | |
|--|--|--|--|---------------------------|--|--------------|--|
| | | | | XA150/32-000 | | XA150/32-000 | |
| | | | | XA150/32-000 | | | |
| | | | | Pump head outline drawing | | | |
| | | | | | | S | |
| | | | | | | | |
| | | | | | | smi pumps | |
| | | | | 20090407 | | | |

www.smipumps.co.za
 13 Patrick Road ,Jetpark

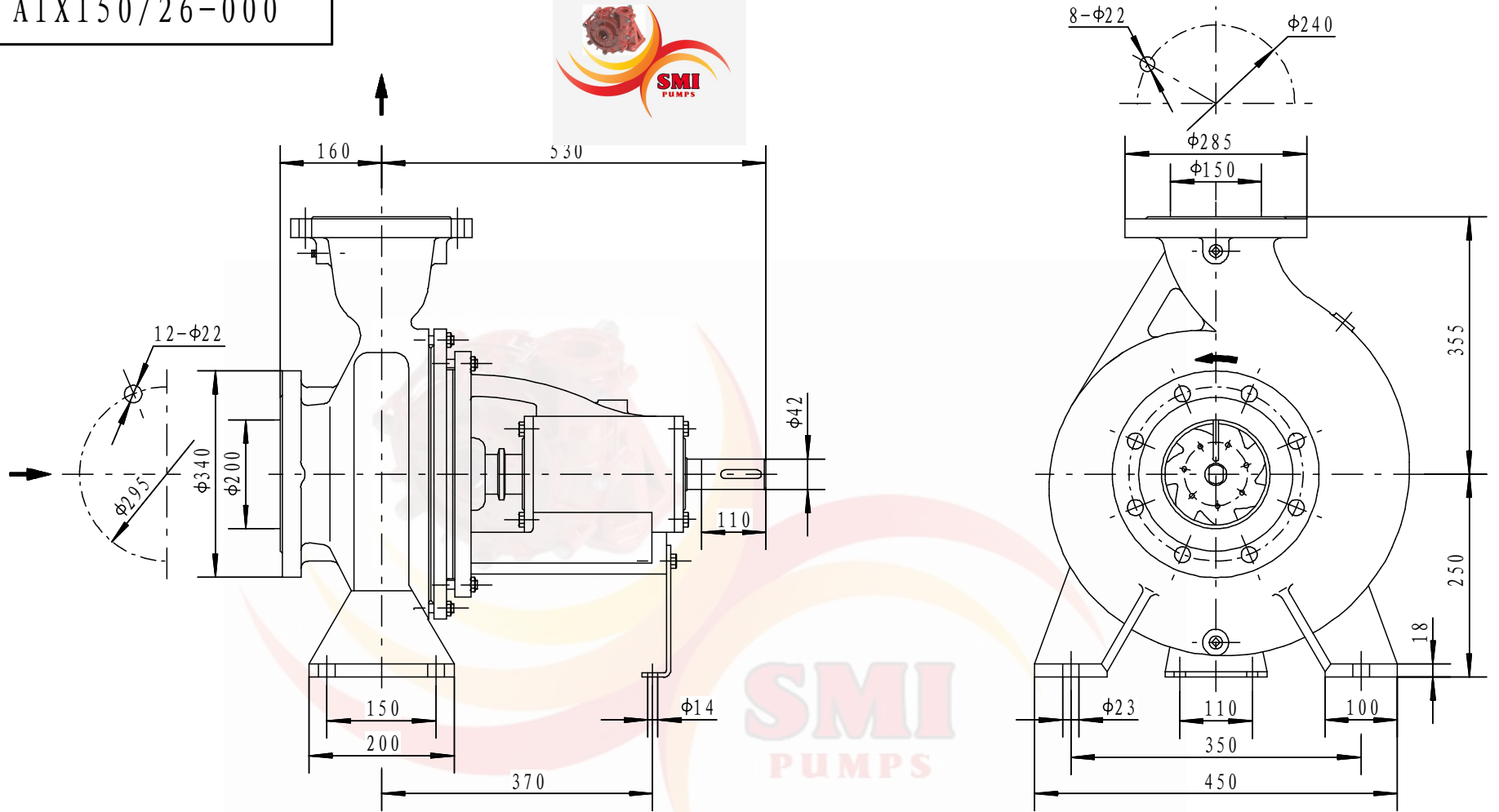
XA150/20-000



| | | | | | | | | | |
|--|--|--|--|---------------------------|--|--------------|--|--|--|
| | | | | XA150/20-000 | | XA150/20-000 | | | |
| | | | | Pump head outline drawing | | | | | |
| | | | | | | S | | | |
| | | | | | | smi pumps | | | |
| | | | | | | 20090407 | | | |

www.smipumps.co.za
 13 Patrick Road ,Jetpark

AIX150/26-000



AIX150/26-000

Pump head outline drawing

AIX150/26-000

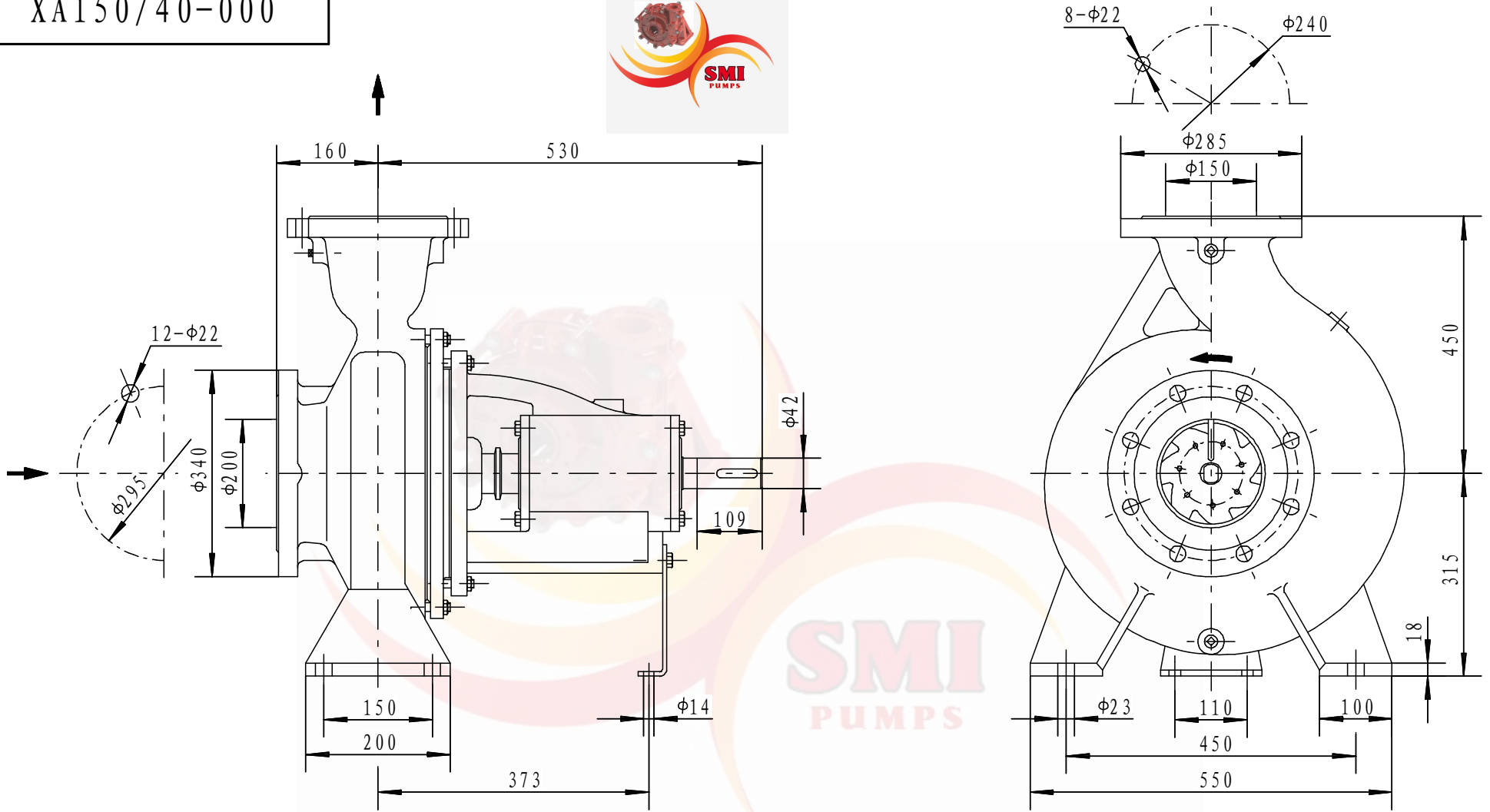
S

smi pumps

www.smipumps.co.za
13 Patrick Road ,Jetpark

20090218

XA150/40-000



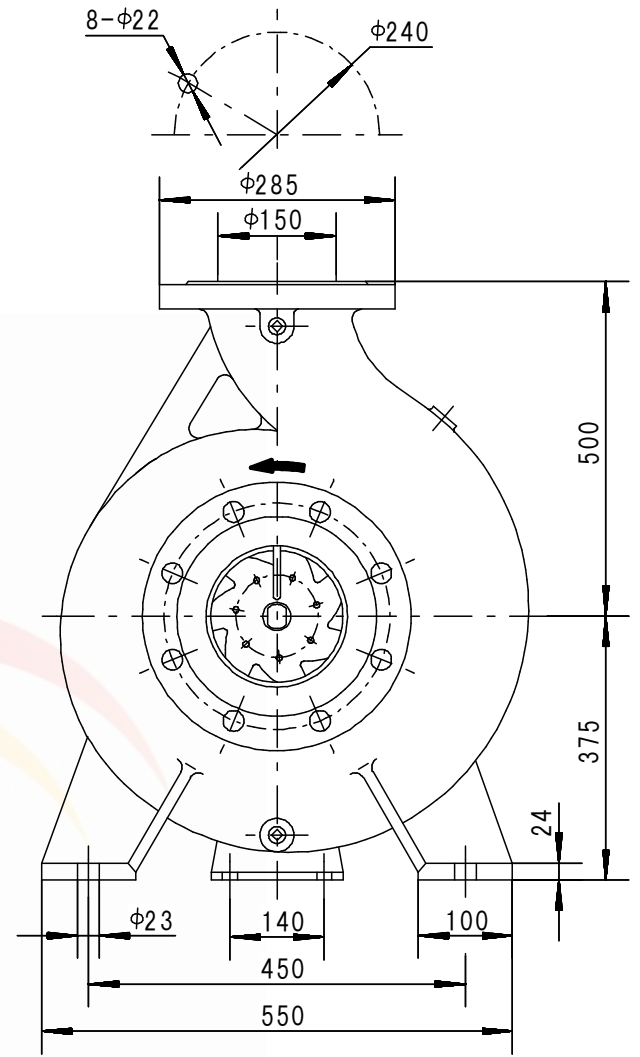
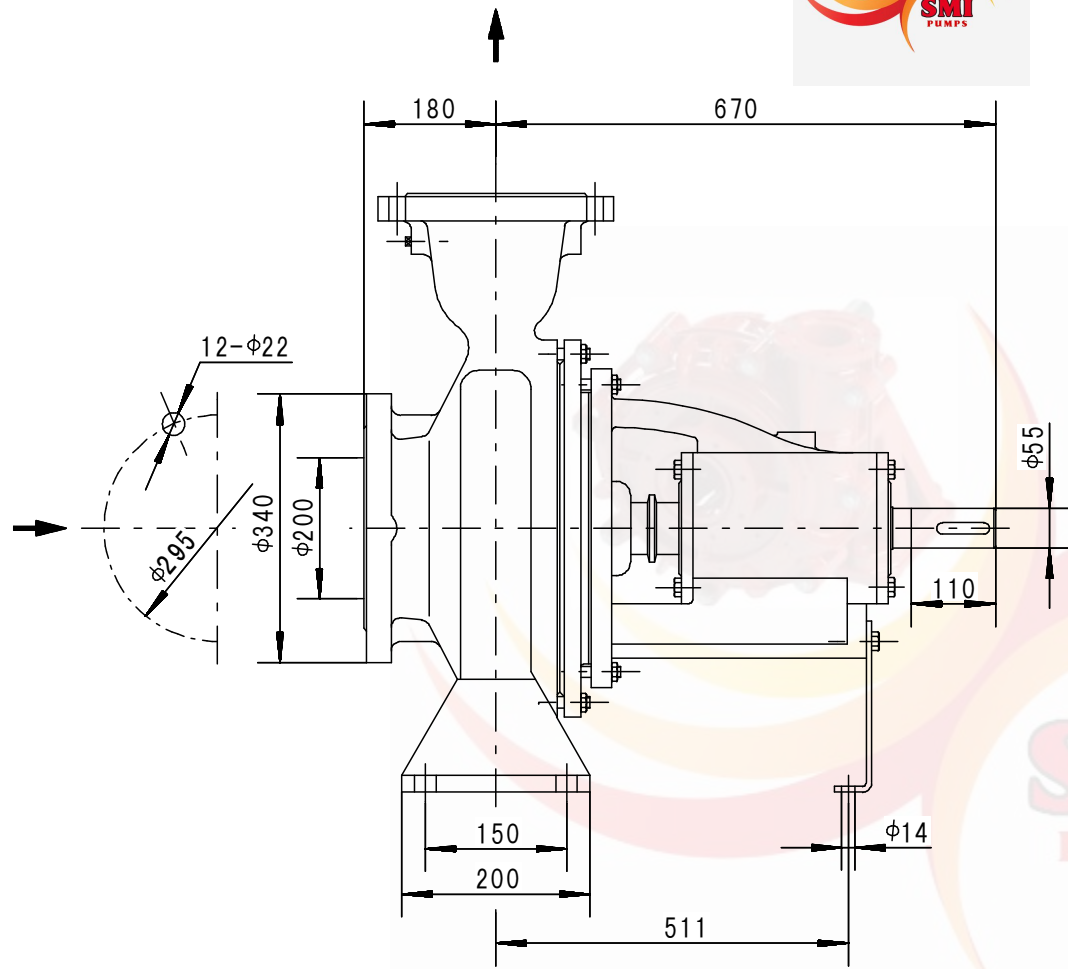
www.smipumps.co.za
13 Patrick Road ,Jetpark

| | | | |
|--|--|--|----------|
| | | | |
| | | | |
| | | | |
| | | | |
| | | | |
| | | | |
| | | | |
| | | | |
| | | | |
| | | | |
| | | | 20090407 |

| | |
|---------------------------|--|
| XA150/40-000 | |
| Pump head outline drawing | |
| | |
| | |
| | |

| | | | | |
|--------------|--|--|--|--|
| XA150/40-000 | | | | |
| S | | | | |
| | | | | |
| smi pumps | | | | |

XA150/50-000



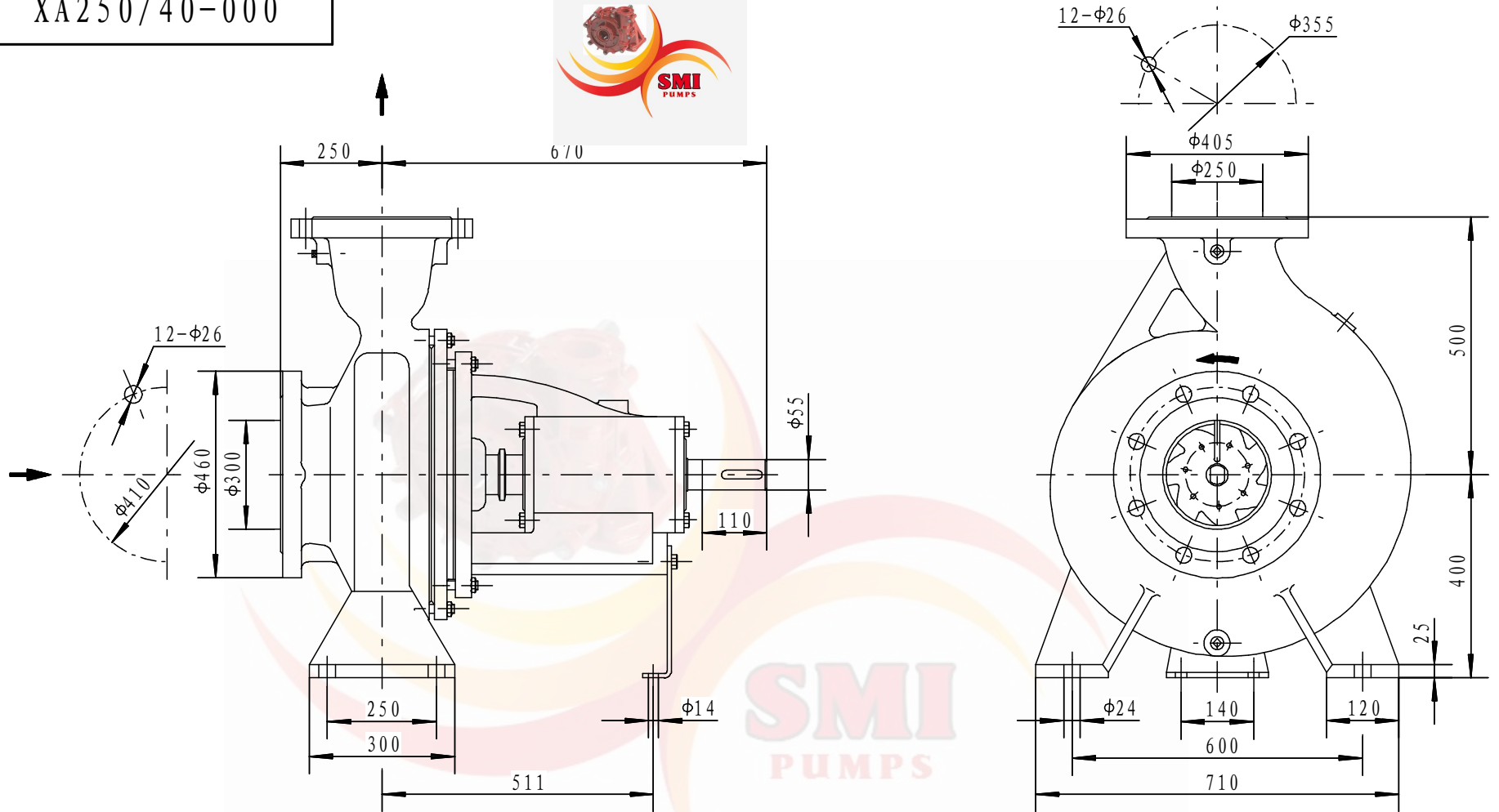
www.smipumps.co.za
 13 Patrick Road ,Jetpark

| | | | | | |
|--|--|--|--|--|--|
| | | | | | |
| | | | | | |
| | | | | | |
| | | | | | |
| | | | | | |
| | | | | | |
| | | | | | |
| | | | | | |

| | |
|---------------------------|--|
| XA150/50 | |
| Pump head outline drawing | |
| | |
| | |

| | | | |
|--------------|--|--|--|
| XA150/50-000 | | | |
| S | | | |
| | | | |
| smi pumps | | | |

XA250/40-000



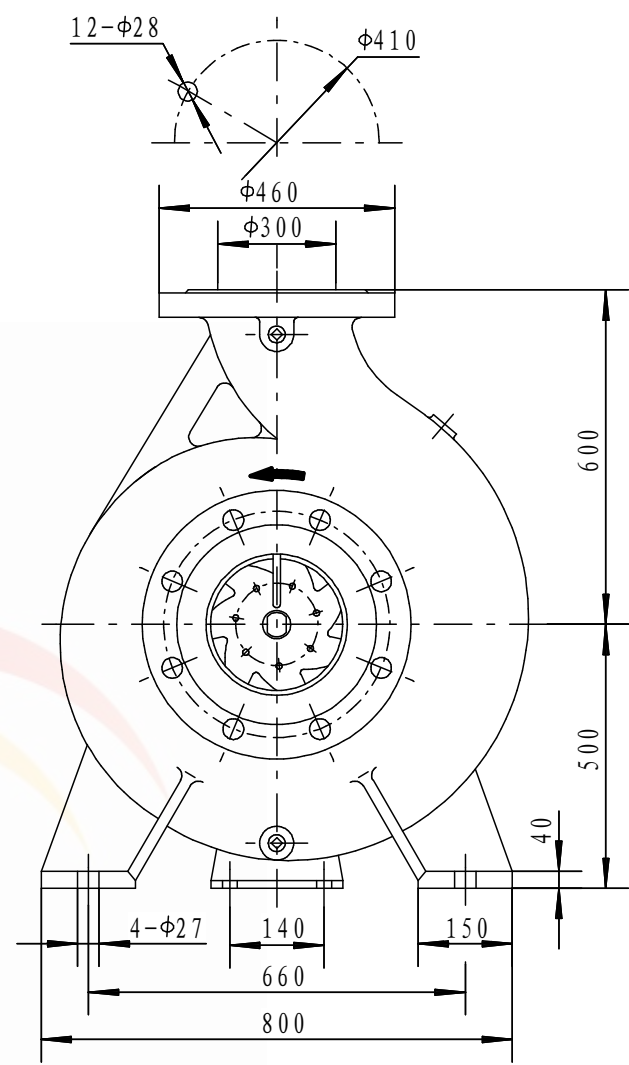
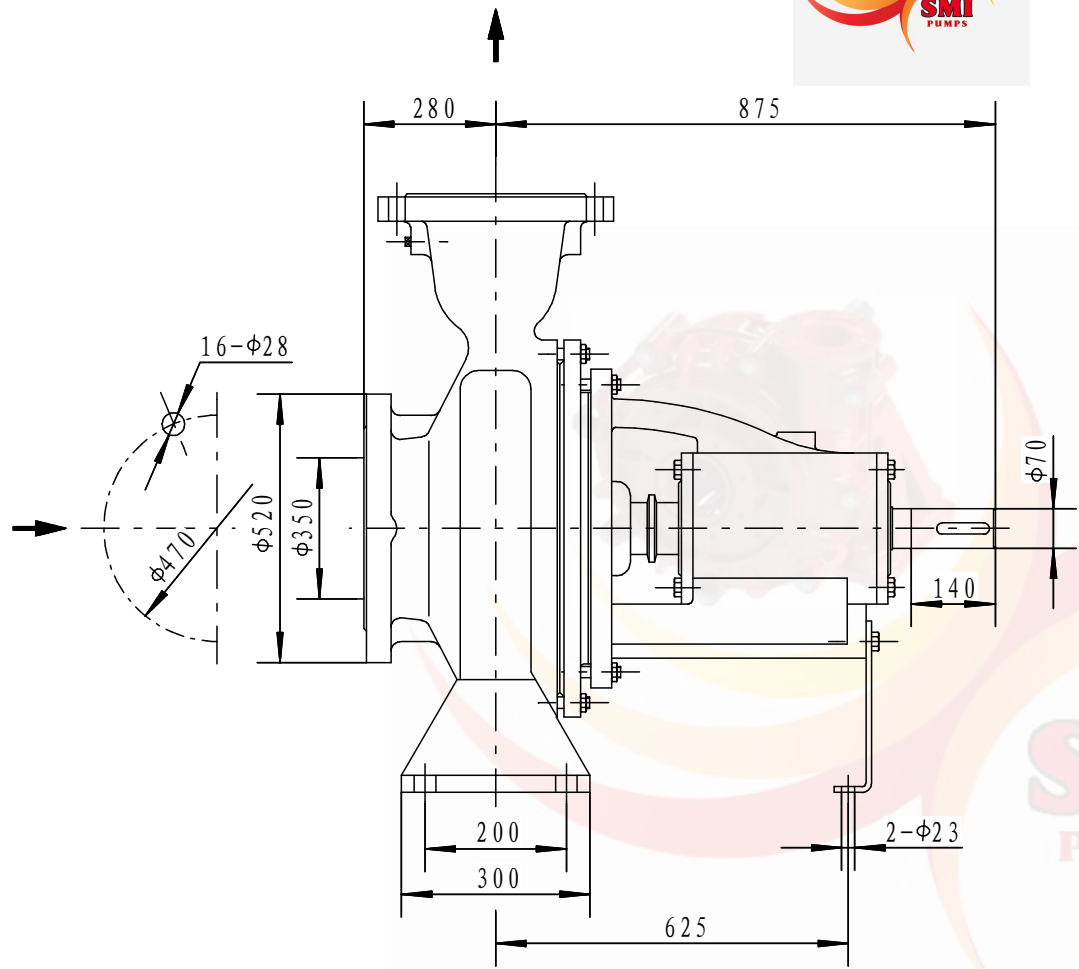
| | | | | | | | |
|--|--|---------------------------|--|--------------|--|--|--|
| | | XA250/40-000 | | XA250/40-000 | | | |
| | | Pump head outline drawing | | S | | | |
| | | | | | | | |
| | | | | smi pumps | | | |

| |
|--|
| |
| |
| |
| |
| |
| |
| |
| |
| |

www.smipumps.co.za
13 Patrick Road ,Jetpark

20090309

XA300/40-000



www.smipumps.co.za
13 Patrick Road ,Jetpark

| | | | | | |
|--|--|--|--|--|--|
| | | | | | |
| | | | | | |
| | | | | | |
| | | | | | |
| | | | | | |
| | | | | | |
| | | | | | |
| | | | | | |

XA300/40-000
 Pump head outline drawing

| | | | | |
|--------------|--|--|--|--|
| XA300/40-000 | | | | |
| S | | | | |
| smi pumps | | | | |

20130221